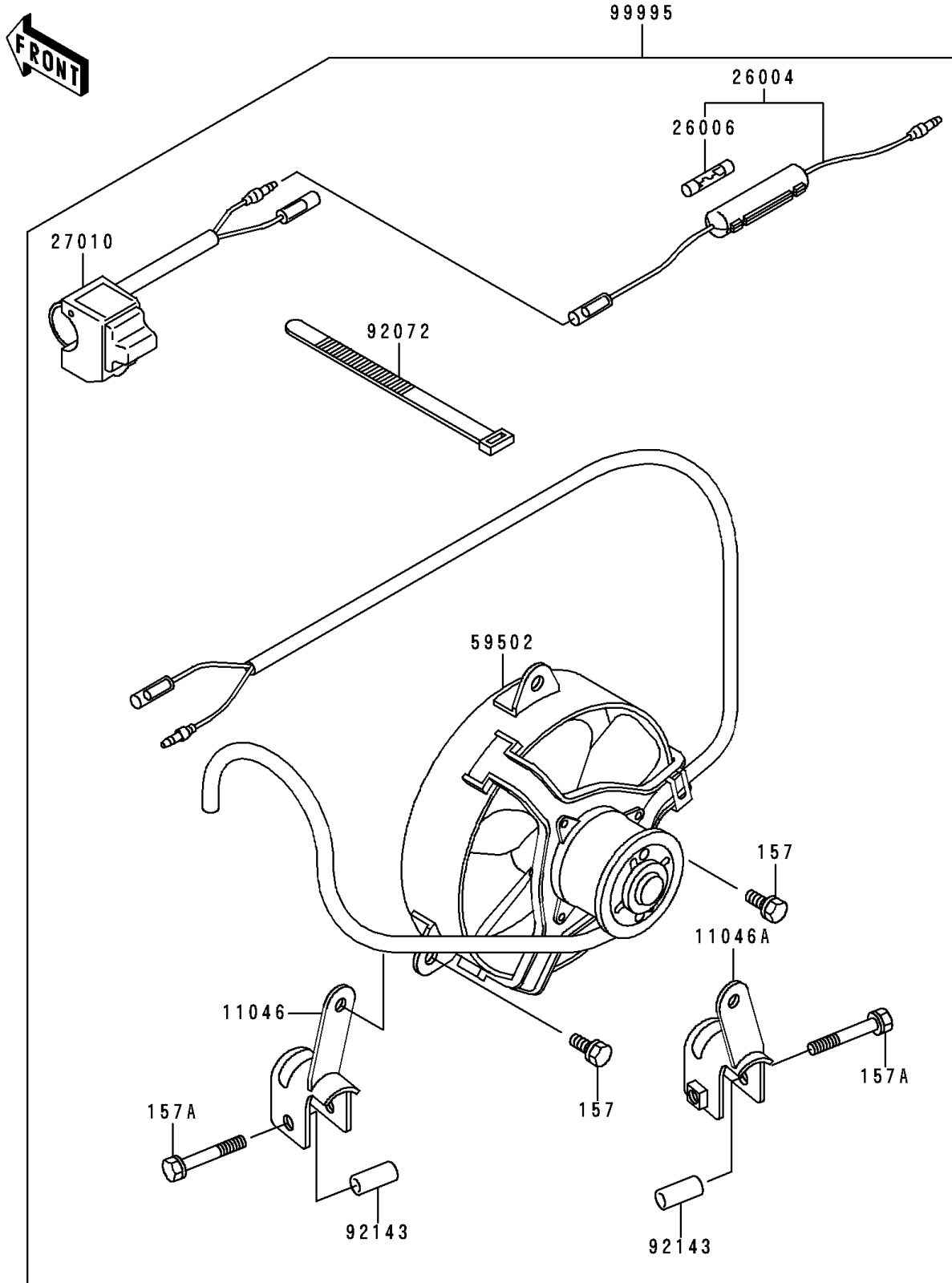


1990 Bayou 300 PARTS DIAGRAM

Optional Parts(Cooling Fan)

F2890A



1990 Bayou 300 PARTS LIST

Optional Parts(Cooling Fan)

| ITEM NAME | PART NUMBER | QUANTITY |
|----------------------------------|-------------|----------|
| BOLT-WSP (Ref # 157) | 157J0616 | 3 |
| BOLT-WSP (Ref # 157A) | 157J0640 | 2 |
| BRACKET,FAN,LH (Ref # 11046) | 11046-1242 | 1 |
| BRACKET,FAN,RH (Ref # 11046A) | 11046-1243 | 1 |
| FUSE-ASSY (Ref # 26004) | 26004-1077 | 1 |
| FUSE,10A,L=30 (Ref # 26006) | 26006-1002 | 2 |
| SWITCH,FAN (Ref # 27010) | 27010-1250 | 1 |
| FAN-ASSY,COOLING (Ref # 59502) | 59502-1078 | 1 |
| BAND,L=149 (Ref # 92072) | 92072-031 | 1 |
| COLLAR,6.8X10X21.7 (Ref # 92143) | 92143-1225 | 2 |
| KIT.,COOLING FAN (Ref # 99995) | 99995-1012 | 1 |