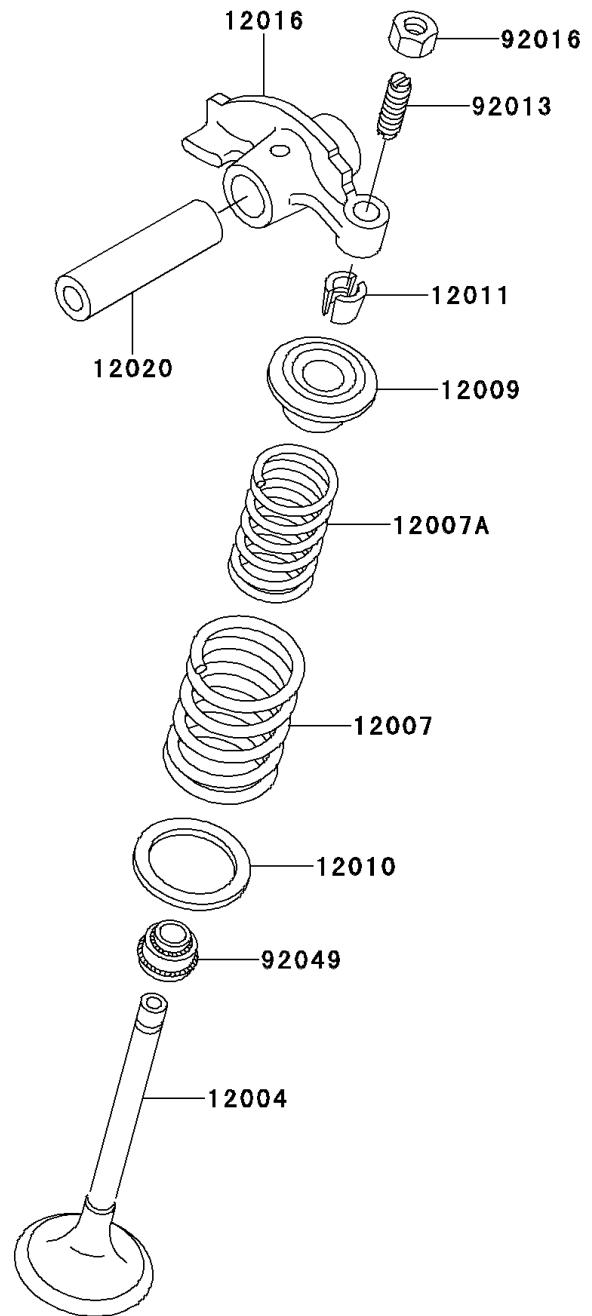
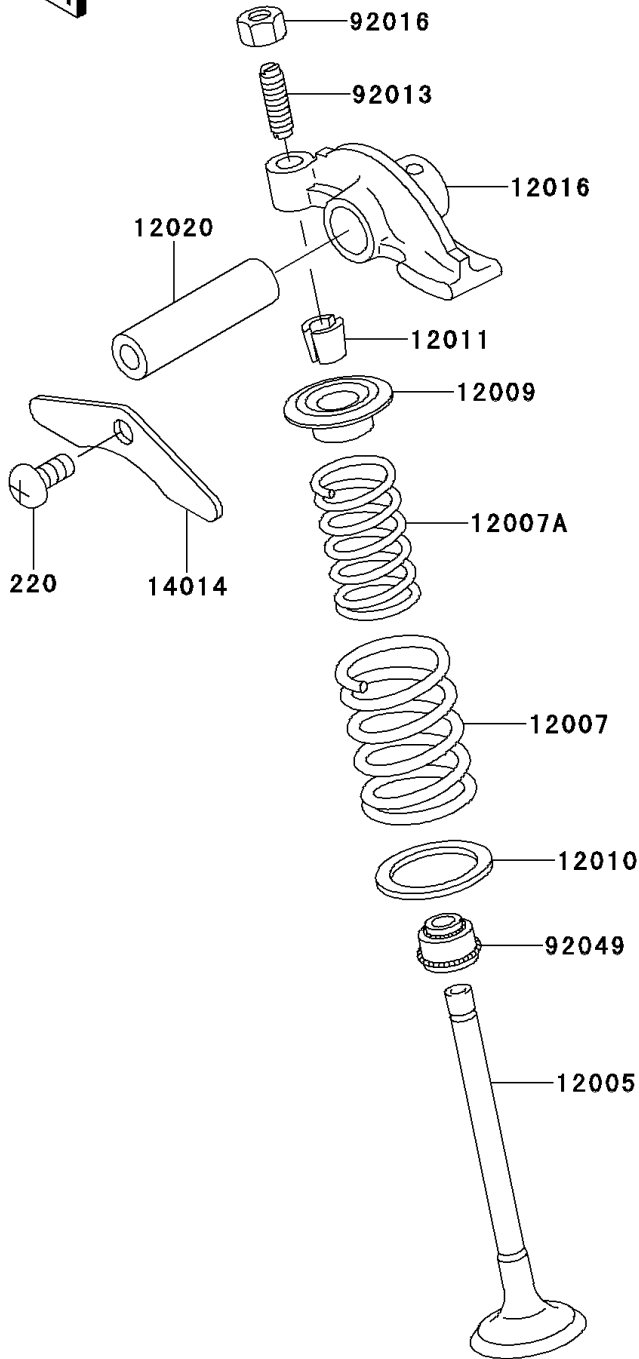


# 1998 Bayou 300 PARTS DIAGRAM

Valve(s)

E1210



## 1998 Bayou 300 PARTS LIST

Valve(s)

| ITEM NAME                                | PART NUMBER | QUANTITY |
|--|-------------|----------|
| SCREW-PAN-CROS,6X10 (Ref # 220)          | 220B0610    | 1        |
| VALVE-INTAKE (Ref # 12004)               | 12004-1123  | 1        |
| VALVE-EXHAUST (Ref # 12005)              | 12005-1005  | 1        |
| SPRING-ENGINE VALVE,OUTER (Ref # 12007)  | 12007-013   | 2        |
| SPRING-ENGINE VALVE,INNER (Ref # 12007A) | 12007-014   | 2        |
| RETAINER-VALVE SPRING (Ref # 12009)      | 12009-006   | 2        |
| SEAT-SPRING,OUTER (Ref # 12010)          | 12010-005   | 2        |
| COLLET,RETAINER (Ref # 12011)            | 12011-004   | 4        |
| ARM-ROCKER (Ref # 12016)                 | 12016-1078  | 2        |
| SHAFT-ROCKER (Ref # 12020)               | 12020-004   | 2        |
| PLATE-POSITION (Ref # 14014)             | 14014-034   | 1        |
| SCREW,6MM (Ref # 92013)                  | 92013-009   | 2        |
| NUT,6MM (Ref # 92016)                    | 92016-061   | 2        |
| SEAL-OIL,RV37129.5 (Ref # 92049)         | 92049-016   | 2        |