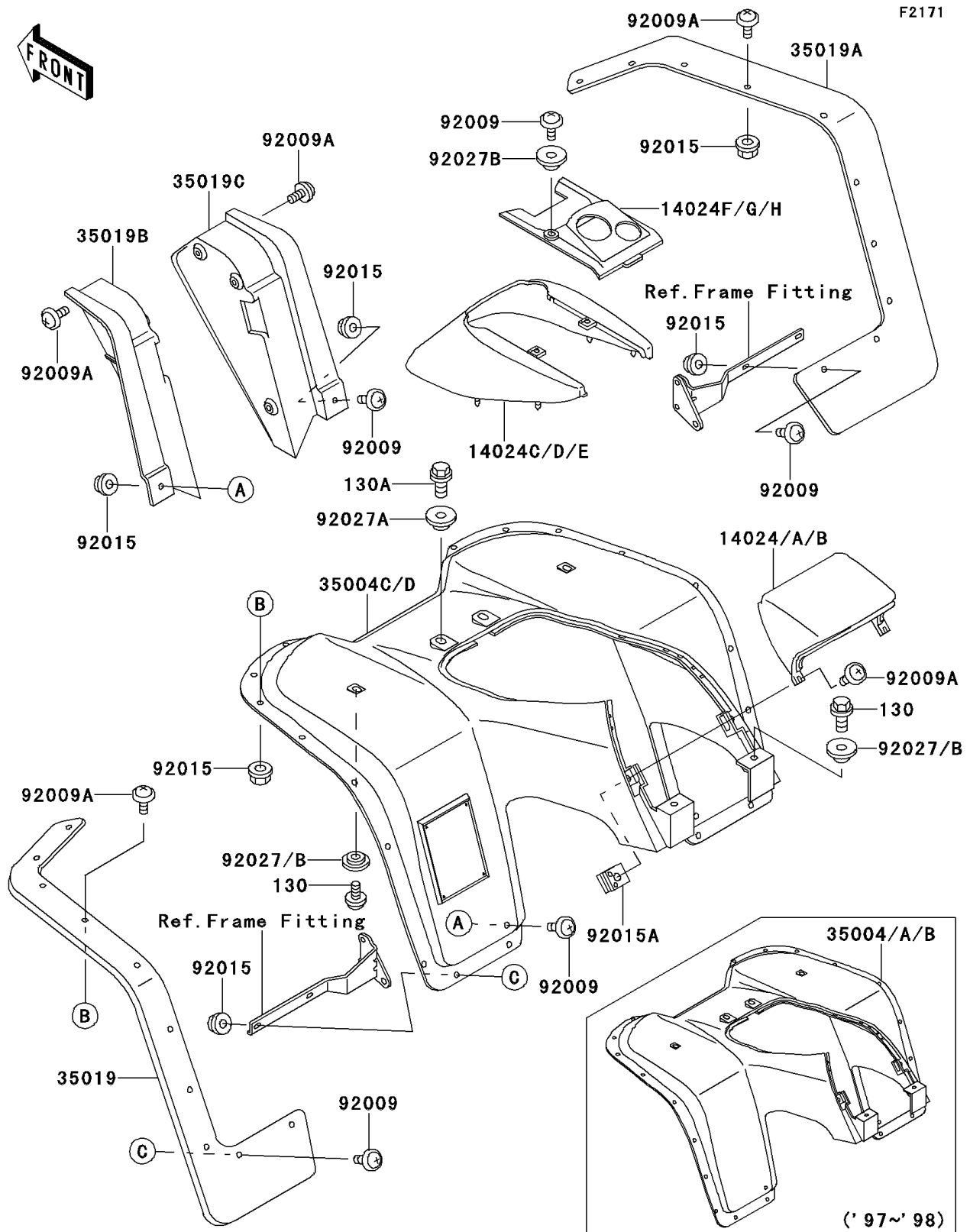


# 1998 Bayou 300 PARTS DIAGRAM

Front Fender(s)



# 1998 Bayou 300 PARTS LIST

## Front Fender(s)

ITEM NAME	PART NUMBER	QUANTITY
BOLT-FLANGED,6X14 (Ref # 130)	130C0614	4
BOLT-FLANGED,8X20 (Ref # 130A)	130C0820	2
COVER,FRONT FENDER,RR,H.GREEN (Ref # 14024A)	14024-1093-6A	1
COVER,FRONT FENDER,RR,F.RED (Ref # 14024B)	14024-1093-6L	1
COVER,FRONT FENDER,FR,H.GREEN (Ref # 14024D)	14024-1544-6A	1
COVER,FRONT FENDER,FR,F.RED (Ref # 14024E)	14024-1544-6L	1
COVER,FUEL TANK,H.GREEN (Ref # 14024G)	14024-1545-6A	1
COVER,FUEL TANK,F.RED (Ref # 14024H)	14024-1545-6L	1
FENDER-FRONT,H.GREEN (Ref # 35004A)	35004-1172-6A	1
FENDER-FRONT,F.RED (Ref # 35004B)	35004-1172-6L	1
FLAP,FR,LH (Ref # 35019)	35019-1146	1
FLAP,FR,RH (Ref # 35019A)	35019-1147	1
FLAP,FR,INSIDE,LH (Ref # 35019B)	35019-1208	1
FLAP,FR,INSIDE,RH (Ref # 35019C)	35019-1209	1
SCREW,6X18,BLACK (Ref # 92009)	92009-1181	8
SCREW,6X14 (Ref # 92009A)	92009-1288	24
NUT,LOCK,FLANGED,6MM (Ref # 92015)	92015-1675	22
NUT,CLAMP,6MM (Ref # 92015A)	92015-1678	4
COLLAR,L=5.6 (Ref # 92027A)	92027-1909	2
COLLAR,L=4.7 (Ref # 92027B)	92027-1964	6