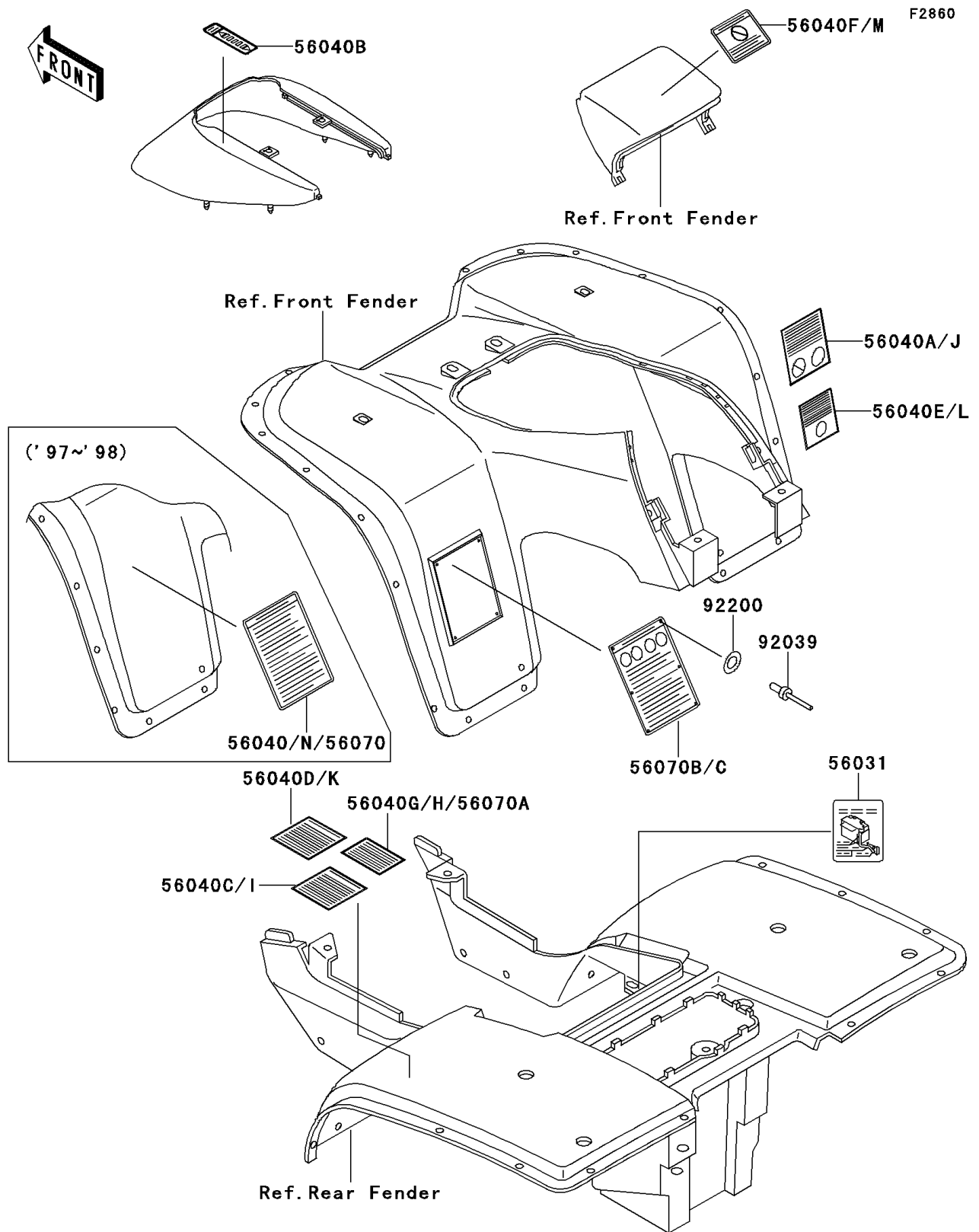


1999 Bayou 300 PARTS DIAGRAM

Labels



1999 Bayou 300 PARTS LIST

Labels

| ITEM NAME | PART NUMBER | QUANTITY |
|---------------------------------------------|-------------|----------|
| LABEL-MANUAL,BATTERY VENT (Ref # 56031) | 56031-1607 | 1 |
| LABEL-WARNING,TRANSPORT (Ref # 56040A) | 56040-1261 | 1 |
| LABEL-WARNING,SHIFT PATTERN (Ref # 56040B) | 56040-1262 | 1 |
| LABEL-WARNING,TIRE PRESSURE (Ref # 56040C) | 56040-1272 | 1 |
| LABEL-WARNING,LOAD (Ref # 56040D) | 56040-1274 | 1 |
| LABEL-WARNING,DIFFERENTIAL (Ref # 56040E) | 56040-1275 | 1 |
| LABEL-WARNING,UNDER 16 (Ref # 56040F) | 56040-1276 | 1 |
| LABEL-WARNING,NO PASSENGER (Ref # 56070A) | 56070-1141 | 1 |
| LABEL-WARNING,SERIOUS INJURY (Ref # 56070B) | 56070-1151 | 1 |
| RIVET (Ref # 92039) | 92039-1235 | 6 |
| WASHER,3.5X8X1 (Ref # 92200) | 92200-1251 | 6 |
| LABEL-WARNING,NO PASSENGER (Ref # 56040H) | 56040-1280 | 1 |
| LABEL-WARNING,TIRE PRESSURE (Ref # 56040I) | 56040-1281 | 1 |
| LABEL-WARNING,TRANSPORT (Ref # 56040J) | 56040-1283 | 1 |
| LABEL-WARNING,LOAD CAPACITY (Ref # 56040K) | 56040-1284 | 1 |
| LABEL-WARNING,DIFFERENTIAL (Ref # 56040L) | 56040-1285 | 1 |
| LABEL-WARNING,AGE (Ref # 56040M) | 56040-1325 | 1 |
| LABEL-WARNING,GENERAL (Ref # 56070C) | 56070-1163 | 1 |