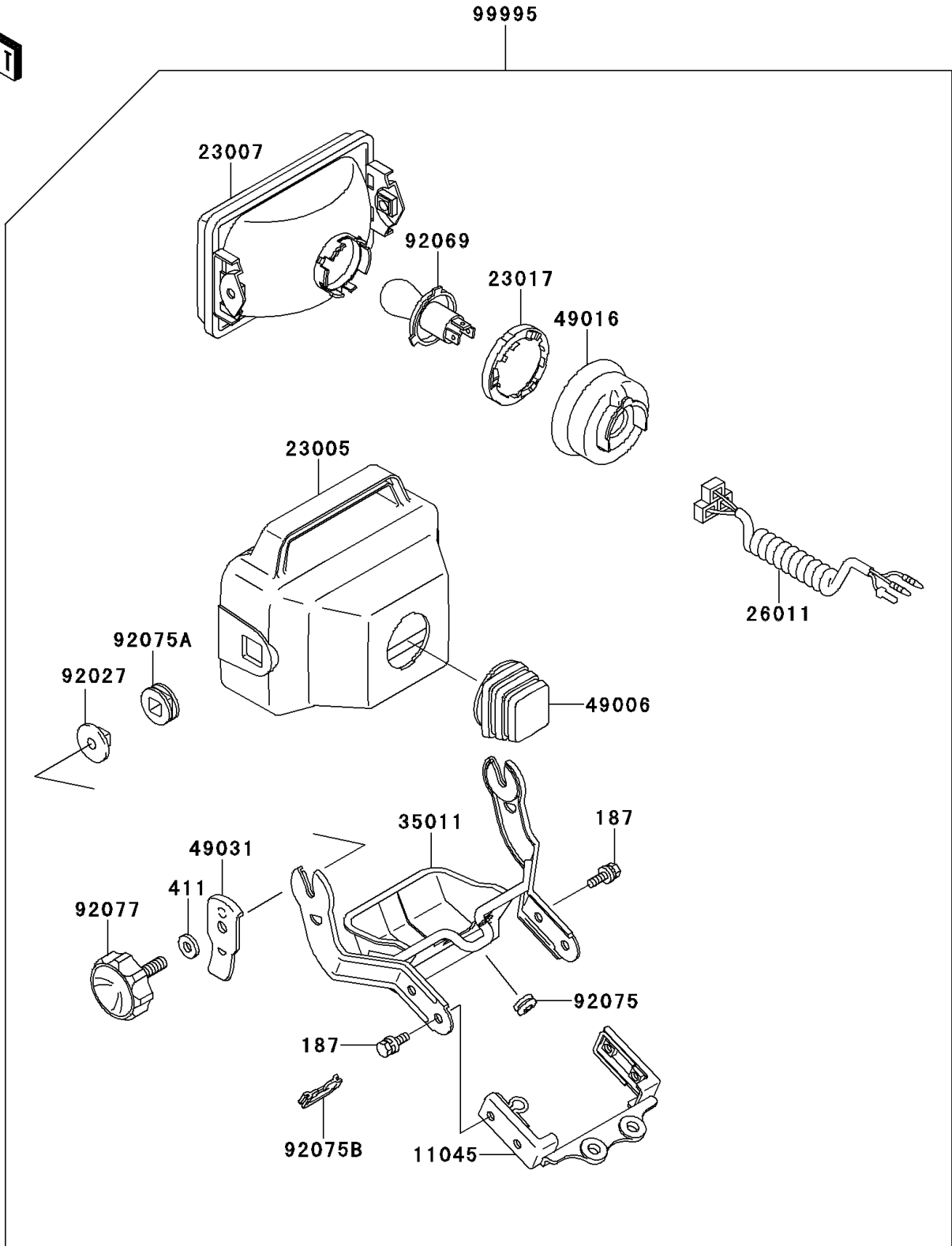


1999 Bayou 300 PARTS DIAGRAM

Optional Parts(Headlight)

F2890B



1999 Bayou 300 PARTS LIST

Optional Parts(Headlight)

ITEM NAME	PART NUMBER	QUANTITY
BOLT-UPSET-WSP (Ref # 187)	187C0614	4
WASHER-PLAIN,8MM,BLACK (Ref # 411)	411F0800	2
BRACKET,HEAD LAMP (Ref # 11045)	11045-1924	1
BODY-COMP-HEAD LAMP,BLACK (Ref # 23005)	23005-1064-6Z	1
LENS-COMP,HEAD LAMP (Ref # 23007)	23007-1138	1
SOCKET,BULB (Ref # 23017)	23017-1051	1
WIRE-LEAD,HEAD LAMP (Ref # 26011)	26011-1405	1
STAY,HEAD LAMP (Ref # 35011)	35011-1413	1
BOOT,HEAD LAMP BODY (Ref # 49006)	49006-1172	1
COVER-SEAL,BULB SOCKET (Ref # 49016)	49016-1111	1
LATCH,HEAD LAMP (Ref # 49031)	49031-1052	2
COLLAR,L=11.9 (Ref # 92027)	92027-1938	2
BULB,12V 65/60W (Ref # 92069)	92069-1069	1
DAMPER,HEAD LAMP HOLDER (Ref # 92075)	92075-1482	1
DAMPER,HEAD LAMP FITTING (Ref # 92075A)	92075-1768	2
DAMPER (Ref # 92075B)	92075-1881	1
KNOB,HEAD LAMP (Ref # 92077)	92077-1060	2
KIT.,HEAD LAMP (Ref # 99995)	99995-1018	1