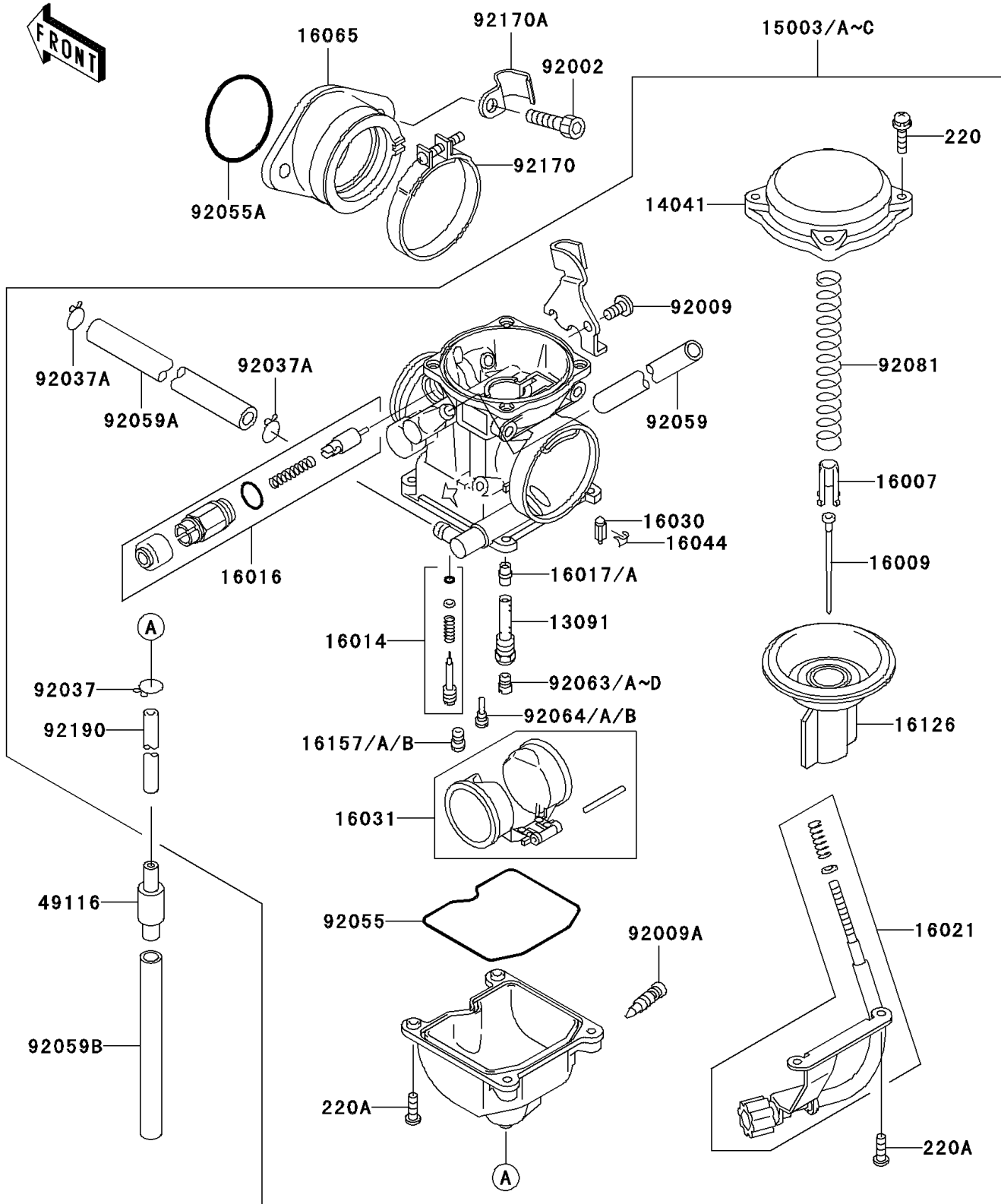


2002 Bayou 300 PARTS DIAGRAM

Carburetor

E1611



2002 Bayou 300 PARTS LIST

Carburetor

ITEM NAME	PART NUMBER	QUANTITY
HOLDER,NEEDLE JET (Ref # 13091)	13091-1259	1
TOP-CHAMBER,MIXING,INSIDE (Ref # 14041)	14041-1077	1
SEAT-SPRING,THROTTLE VALVE (Ref # 16007)	16007-1120	1
NEEDLE-JET,N74T (Ref # 16009)	16009-1874	1
SCREW-PILOT AIR (Ref # 16014)	16014-1081	1
PLUNGER,STARTER (Ref # 16016)	16016-1101	1
SCREW-THROTTLE STOP (Ref # 16021)	16021-1175	1
VALVE-FLOAT (Ref # 16030)	16030-1007	1
FLOAT (Ref # 16031)	16031-1077	1
CLAMP,FLOAT VALVE (Ref # 16044)	16044-007	1
HOLDER-CARBURETOR (Ref # 16065)	16065-1301	1
VALVE,VACUUM (Ref # 16126)	16126-1199	1
JET-STARTER,#65 (Ref # 16157)	16157-1063	1
JET-STARTER,#68 (Ref # 16157A)	16157-1064	1
JET-STARTER,#70 (Ref # 16157B)	16157-1065	1
VALVE-ASSY (Ref # 49116)	49116-1126	1
BOLT,6X16 (Ref # 92002)	92002-1143	2
SCREW,5X10 (Ref # 92009)	92009-1365	1
SCREW,DRAIN,M6X0.75 (Ref # 92009A)	92009-1551	1
CLAMP,TUBE (Ref # 92037)	92037-1201	1
CLAMP,TUBE (Ref # 92037A)	92037-1531	2
RING-O,FLOAT CHAMBER (Ref # 92055)	92055-1222	1
RING-O,38MM (Ref # 92055A)	92055-1295	1
TUBE,6.5X9.5X350 (Ref # 92059)	92059-1237	1
TUBE,6.5X11.5X150 (Ref # 92059A)	92059-1463	1
TUBE,7X10X100 (Ref # 92059B)	92059-1736	1
JET-MAIN,#125 (Ref # 92063)	92063-1069	1
SCREW-PAN-CROS (Ref # 220)	220B0408	4
SCREW-PAN-CROS (Ref # 220A)	220D0414	4

2002 Bayou 300 PARTS LIST

Carburetor

ITEM NAME	PART NUMBER	QUANTITY
JET-MAIN,#120 (Ref # 92063A)	92063-1072	1
JET-MAIN,#122 (Ref # 92063B)	92063-1073	1
JET-MAIN,#128 (Ref # 92063C)	92063-1074	1
JET-MAIN,#130 (Ref # 92063D)	92063-1075	1
JET-PILOT,#35 (Ref # 92064)	92064-1101	1
JET-PILOT,#38 (Ref # 92064A)	92064-1119	1
JET-PILOT,#40 (Ref # 92064B)	92064-1125	1
SPRING,VACUUM VALVE (Ref # 92081)	92081-1775	1
CLAMP (Ref # 92170)	92170-1438	1
CLAMP (Ref # 92170A)	92170-1552	1
TUBE,4.5X8X330 (Ref # 92190)	92190-1557	1
CARBURETOR-ASSY (Ref # 15003)	15003-1212	1
CARBURETOR-ASSY (Ref # 15003A)	15003-1361	1
JET-NEEDLE,#6 (Ref # 16017)	16017-1270	1
JET-NEEDLE,#6 (Ref # 16017A)	16017-1286	1