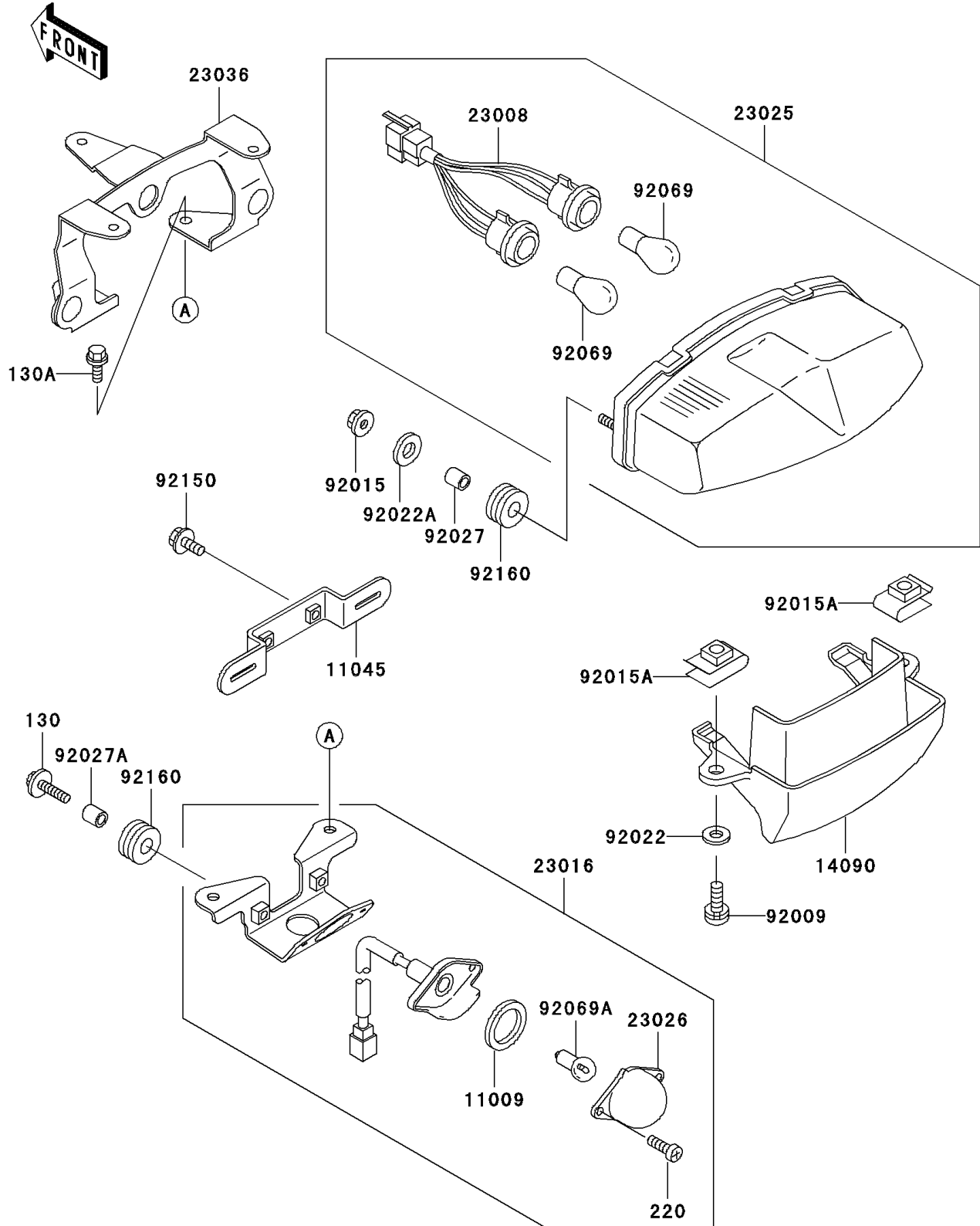


# 2009 Ninja® 500R PARTS DIAGRAM

Taillight(s)

F2720



## 2009 Ninja® 500R PARTS LIST

### Taillight(s)

| ITEM NAME                               | PART NUMBER | QUANTITY |
|---|-------------|----------|
| BOLT-FLANGED,6X25 (Ref # 130)           | 130BA0625   | 2        |
| BOLT-FLANGED,6X12 (Ref # 130A)          | 130BB0612   | 2        |
| SCREW-PAN-CROS,4X10 (Ref # 220)         | 220AA0410   | 2        |
| GASKET,LICENSE PLATE LAMP (Ref # 11009) | 11009-1372  | 1        |
| BRACKET,LICENSE (Ref # 11045)           | 11045-1387  | 1        |
| COVER,LICENSE LAMP (Ref # 14090)        | 14090-1487  | 1        |
| SOCKET-ASSY,TAIL LAMP (Ref # 23008)     | 23008-1413  | 1        |
| LAMP-ASSY,LICENSE PLATE (Ref # 23016)   | 23016-1132  | 1        |
| LAMP-TAIL (Ref # 23025)                 | 23025-1313  | 1        |
| LENS,LAMP (Ref # 23026)                 | 23026-1054  | 1        |
| BRACKET-TAIL LAMP (Ref # 23036)         | 23036-1130  | 1        |
| SCREW,5X16,BLACK (Ref # 92009)          | 92009-1654  | 2        |
| NUT,FLANGED,6MM (Ref # 92015)           | 92015-1367  | 3        |
| NUT,5MM (Ref # 92015A)                  | 92015-1710  | 2        |
| WASHER,NYLON,5.3X11.5X1.5 (Ref # 92022) | 92022-1521  | 2        |
| WASHER,6.5X20X1.6 (Ref # 92022A)        | 92022-1557  | 3        |
| COLLAR,6.8X10X12 (Ref # 92027)          | 92027-162   | 3        |
| COLLAR,L=13.1 (Ref # 92027A)            | 92027-251   | 2        |
| BULB,12V 21/5W (Ref # 92069)            | 92069-063   | 2        |
| BULB,12V 5W (Ref # 92069A)              | 92069-1055  | 1        |
| BOLT,6X14 (Ref # 92150)                 | 92150-1133  | 2        |
| DAMPER (Ref # 92160)                    | 92160-1162  | 5        |