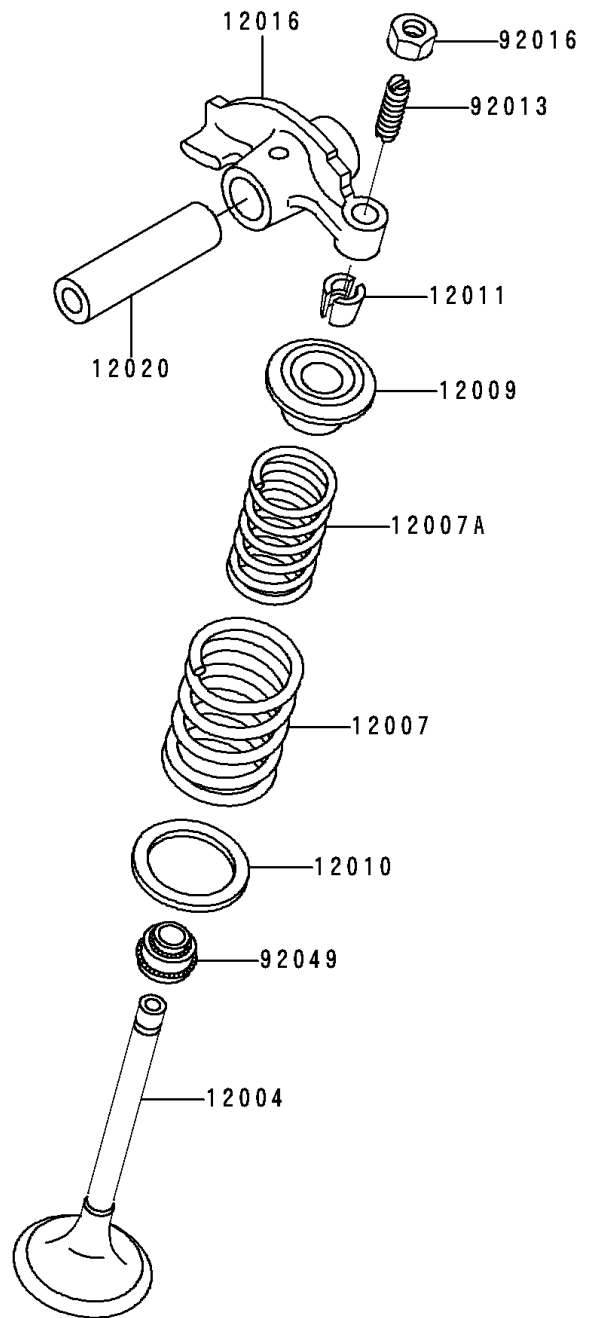
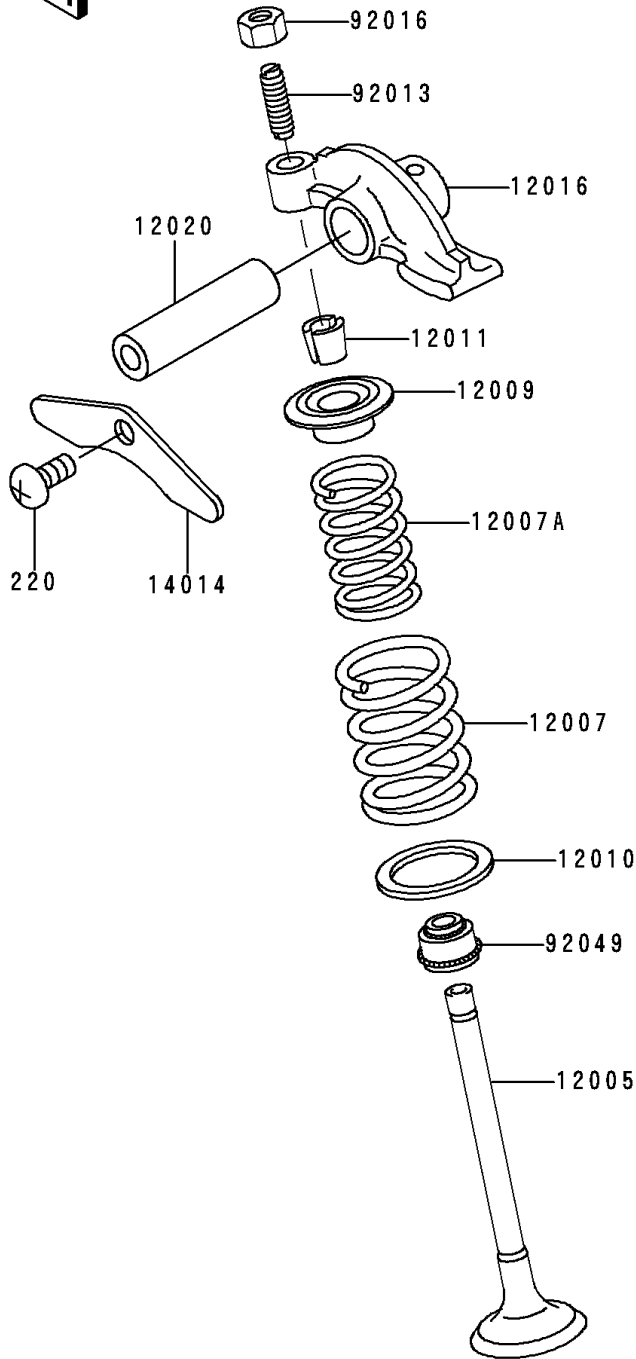


# 1994 Bayou 300 PARTS DIAGRAM

Valve(s)

E1210



# 1994 Bayou 300 PARTS LIST

Valve(s)

ITEM NAME	PART NUMBER	QUANTITY
-----------	-------------	----------