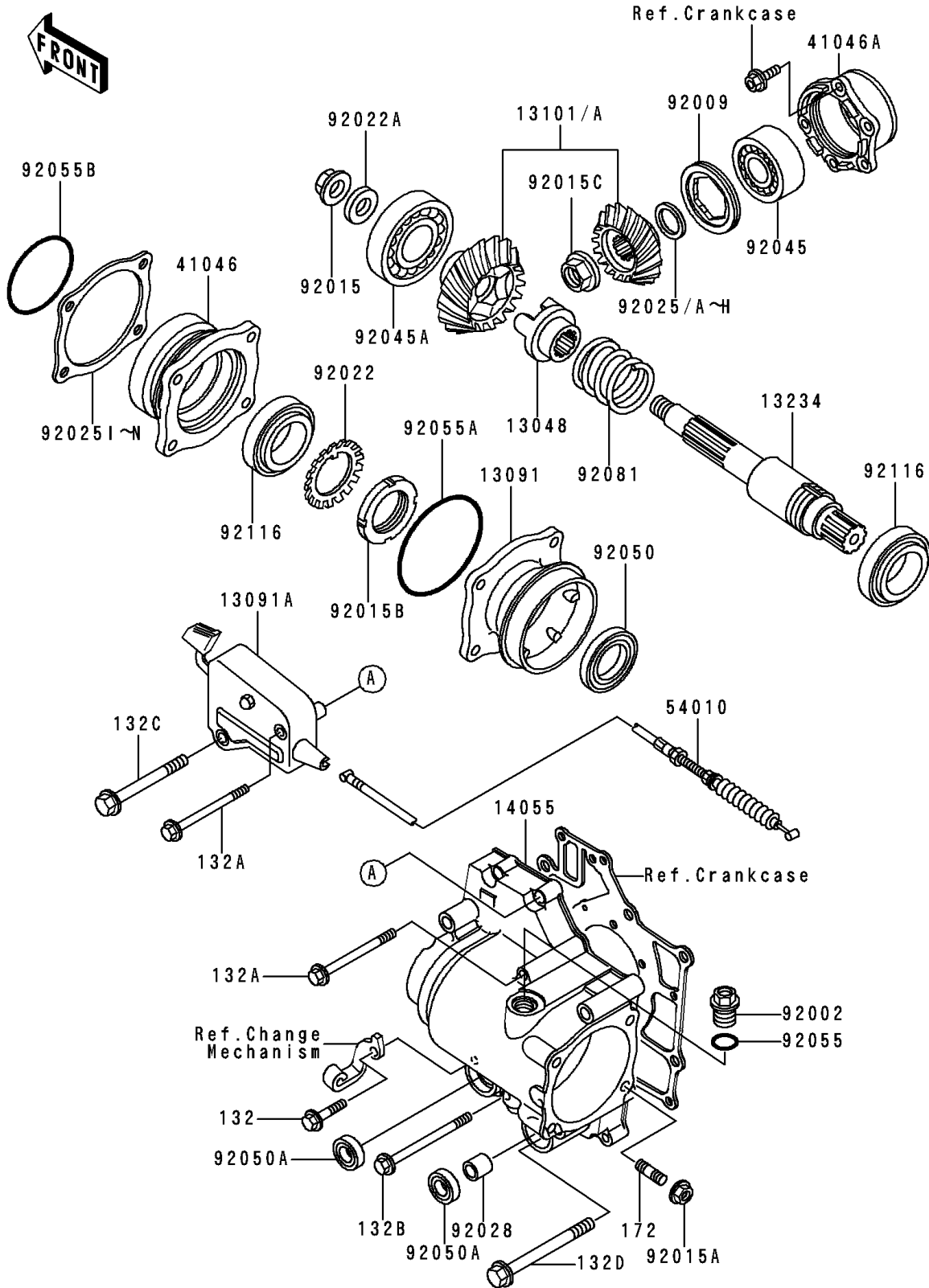


1993 Bayou 300 PARTS DIAGRAM

Front Bevel Gear

E3131



1993 Bayou 300 PARTS LIST

Front Bevel Gear

| ITEM NAME | PART NUMBER | QUANTITY |
|---|-------------|----------|
| CAM-DAMPER,FR (Ref # 13048) | 13048-1059 | 1 |
| HOLDER,GEAR CASE,FR (Ref # 13091) | 13091-1377 | 1 |
| HOLDER,DIFF LOCK (Ref # 13091A) | 13091-1410 | 1 |
| SHAFT-COMP,GEAR CASE,FR (Ref # 13234) | 13234-1085 | 1 |
| CASE-GEAR (Ref # 14055) | 14055-1125 | 1 |
| HOUSING-BEARING,GEAR CASE,FR (Ref # 41046) | 41046-1066 | 1 |
| HOUSING-BEARING,GEAR CASE,FR (Ref # 41046A) | 41046-1098 | 1 |
| CABLE (Ref # 54010) | 54010-1069 | 1 |
| BOLT,16X10 (Ref # 92002) | 92002-1238 | 1 |
| SCREW,55MM (Ref # 92009) | 92009-1384 | 1 |
| NUT,FLANGED,14MM (Ref # 92015) | 92015-1341 | 1 |
| NUT,8MM (Ref # 92015A) | 92015-1402 | 4 |
| NUT,RING 35MM (Ref # 92015B) | 92015-1515 | 1 |
| NUT (Ref # 92015C) | 92015-1581 | 1 |
| WASHER,LOCK (Ref # 92022) | 92022-1687 | 1 |
| WASHER,14.2X28X2.6 (Ref # 92022A) | 92022-1688 | 1 |
| SHIM,20.3X28X1.3 (Ref # 92025) | 92025-1533 | AR |
| SHIM,20.3X28X0.7 (Ref # 92025A) | 92025-1534 | AR |
| SHIM,20.3X28X0.8 (Ref # 92025B) | 92025-1535 | AR |
| SHIM,20.3X28X0.9 (Ref # 92025C) | 92025-1536 | AR |
| SHIM,20.3X28X1.0 (Ref # 92025D) | 92025-1537 | AR |
| SHIM,20.3X28X1.2 (Ref # 92025E) | 92025-1538 | AR |
| SHIM,20.3X28X0.15 (Ref # 92025F) | 92025-1573 | AR |
| SHIM,20.3X28X0.20 (Ref # 92025G) | 92025-1574 | AR |
| SHIM,20.3X28X1.1 (Ref # 92025H) | 92025-1575 | AR |
| SHIM,T=0.10 (Ref # 92025I) | 92025-1697 | AR |
| SHIM,T=0.15 (Ref # 92025J) | 92025-1698 | AR |
| SHIM,T=0.50 (Ref # 92025K) | 92025-1699 | AR |
| SHIM,T=0.80 (Ref # 92025L) | 92025-1700 | AR |

1993 Bayou 300 PARTS LIST

Front Bevel Gear

| ITEM NAME | PART NUMBER | QUANTITY |
|--------------------------------------|-------------|----------|
| SHIM,T=1.00 (Ref # 92025M) | 92025-1701 | AR |
| SHIM,T=1.20 (Ref # 92025N) | 92025-1702 | AR |
| BUSHING (Ref # 92028) | 92028-1347 | 1 |
| BEARING-BALL,5304 (Ref # 92045) | 92045-1144 | 1 |
| BEARING-BALL,6206CM (Ref # 92045A) | 92045-1155 | 1 |
| SEAL-OIL (Ref # 92050) | 92050-057 | 1 |
| SEAL-OIL (Ref # 92050A) | 92050-082 | 2 |
| BOLT-FLANGED-SMALL (Ref # 132) | 132J0630 | 4 |
| BOLT-FLANGED-SMALL (Ref # 132A) | 132J0675 | 2 |
| BOLT-FLANGED-SMALL (Ref # 132B) | 132J0685 | 1 |
| BOLT-FLANGED-SMALL (Ref # 132C) | 132J0875 | 1 |
| BOLT-FLANGED-SMALL (Ref # 132D) | 132J0890 | 3 |
| BOLT-STUD,8X25 (Ref # 172) | 172G0825 | 4 |
| RING-O,ID=13.8 (Ref # 92055) | 92055-1141 | 1 |
| RING-O,76MM (Ref # 92055A) | 92055-1213 | 1 |
| RING-O (Ref # 92055B) | 92055-1316 | 1 |
| SPRING,DAMPER (Ref # 92081) | 92081-1854 | 1 |
| BEARING-ROLLER (Ref # 92116) | 92116-1055 | 2 |
| GEAR-ASSY,FRONT BEVEL (Ref # 13101) | 13101-5079 | 1 |
| GEAR-ASSY,FRONT BEVEL (Ref # 13101A) | 13101-5080 | 1 |