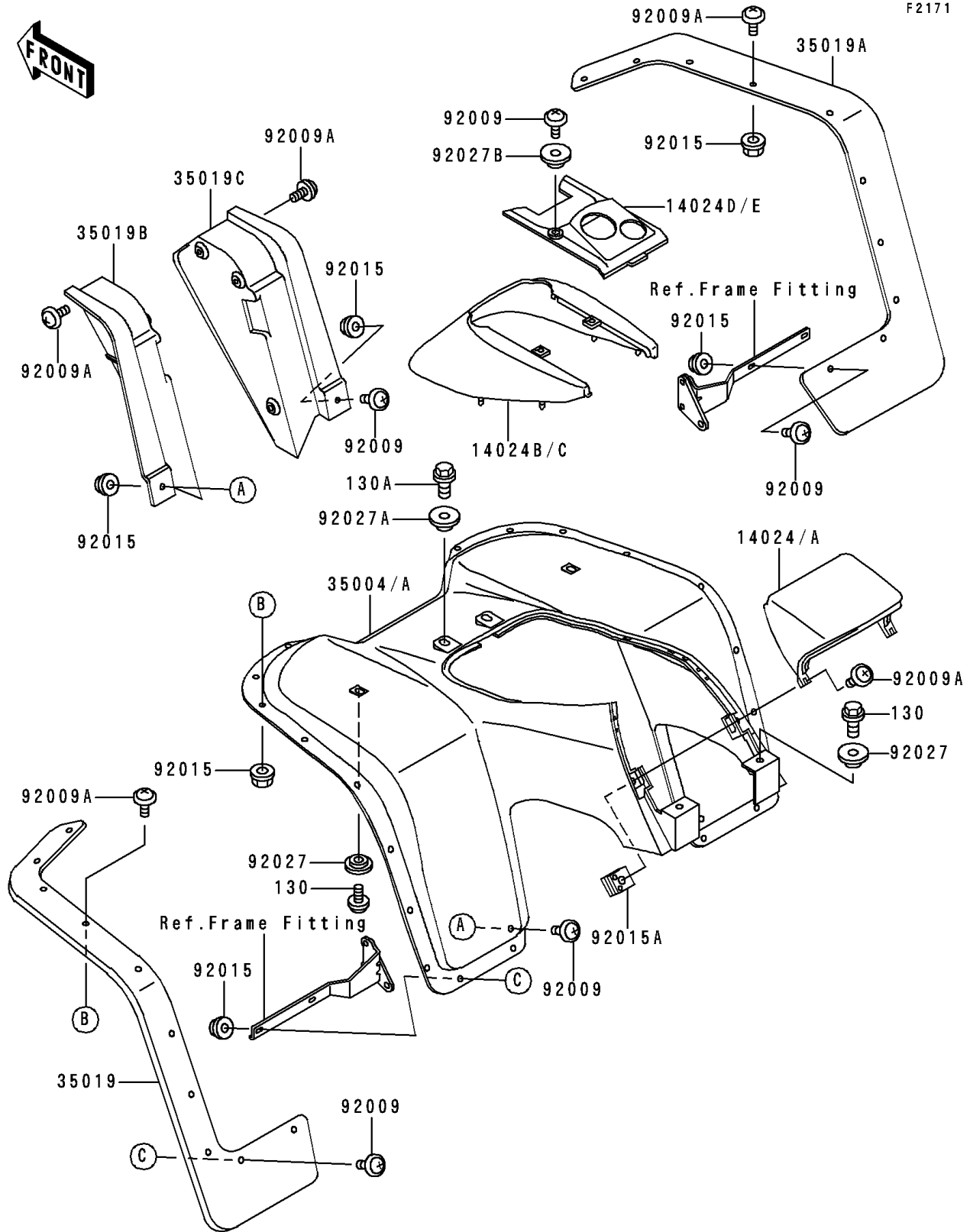


1996 Bayou 300 PARTS DIAGRAM

Front Fender(s)

F2171



1996 Bayou 300 PARTS LIST

Front Fender(s)

| ITEM NAME | PART NUMBER | QUANTITY |
|--|---------------|----------|
| BOLT-FLANGED,6X14 (Ref # 130) | 130C0614 | 4 |
| BOLT-FLANGED,8X20 (Ref # 130A) | 130C0820 | 2 |
| COVER,FRONT FENDER,RR,BLACK (Ref # 14024) | 14024-1093-6D | 1 |
| COVER,FRONT FENDER,RR,F.RED (Ref # 14024A) | 14024-1093-6L | 1 |
| COVER,FRONT FENDER,FR,GRAY (Ref # 14024B) | 14024-1544-RG | 1 |
| COVER,FUEL TANK,GRAY (Ref # 14024D) | 14024-1545-RG | 1 |
| FENDER-FRONT,BLACK (Ref # 35004) | 35004-1172-6D | 1 |
| FENDER-FRONT,F.RED (Ref # 35004A) | 35004-1172-6L | 1 |
| FLAP,FR,LH (Ref # 35019) | 35019-1146 | 1 |
| FLAP,FR,RH (Ref # 35019A) | 35019-1147 | 1 |
| FLAP,FR,INSIDE,LH (Ref # 35019B) | 35019-1208 | 1 |
| FLAP,FR,INSIDE,RH (Ref # 35019C) | 35019-1209 | 1 |
| SCREW,6X18,BLACK (Ref # 92009) | 92009-1181 | 8 |
| SCREW,6X14 (Ref # 92009A) | 92009-1288 | 24 |
| NUT,LOCK,FLANGED,6MM (Ref # 92015) | 92015-1675 | 22 |
| NUT,CLAMP,6MM (Ref # 92015A) | 92015-1678 | 4 |
| COLLAR,L=4.7 (Ref # 92027) | 92027-122 | 4 |
| COLLAR,L=5.6 (Ref # 92027A) | 92027-1909 | 2 |
| COLLAR,L=4.7 (Ref # 92027B) | 92027-1964 | 2 |