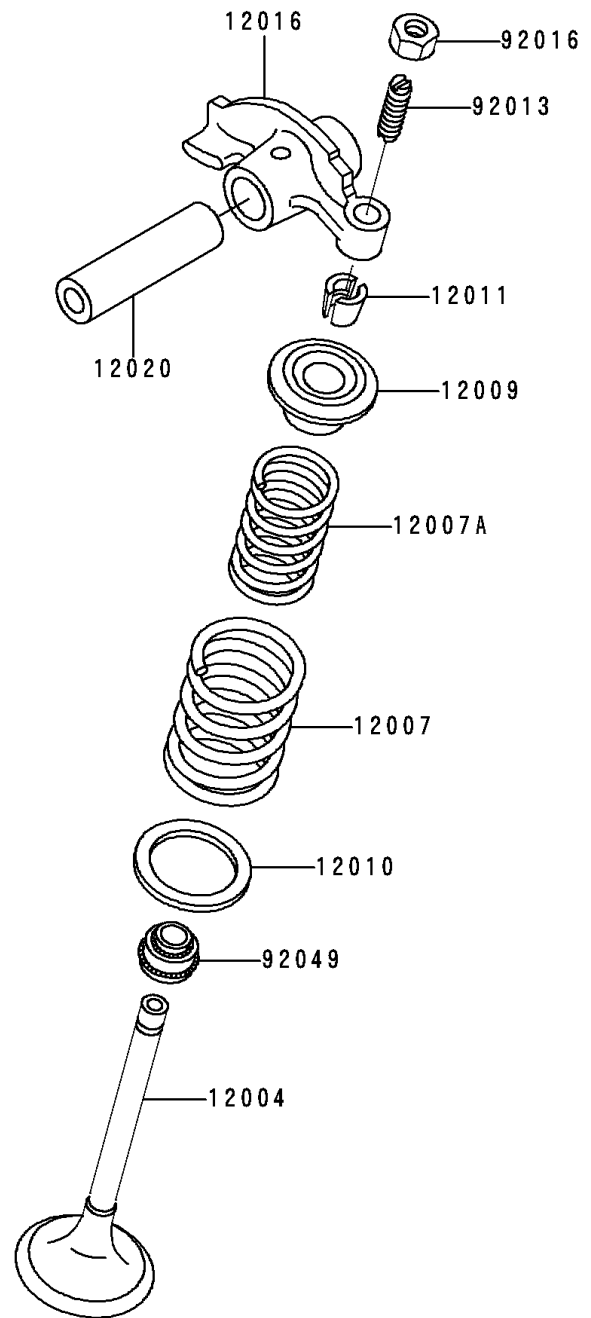
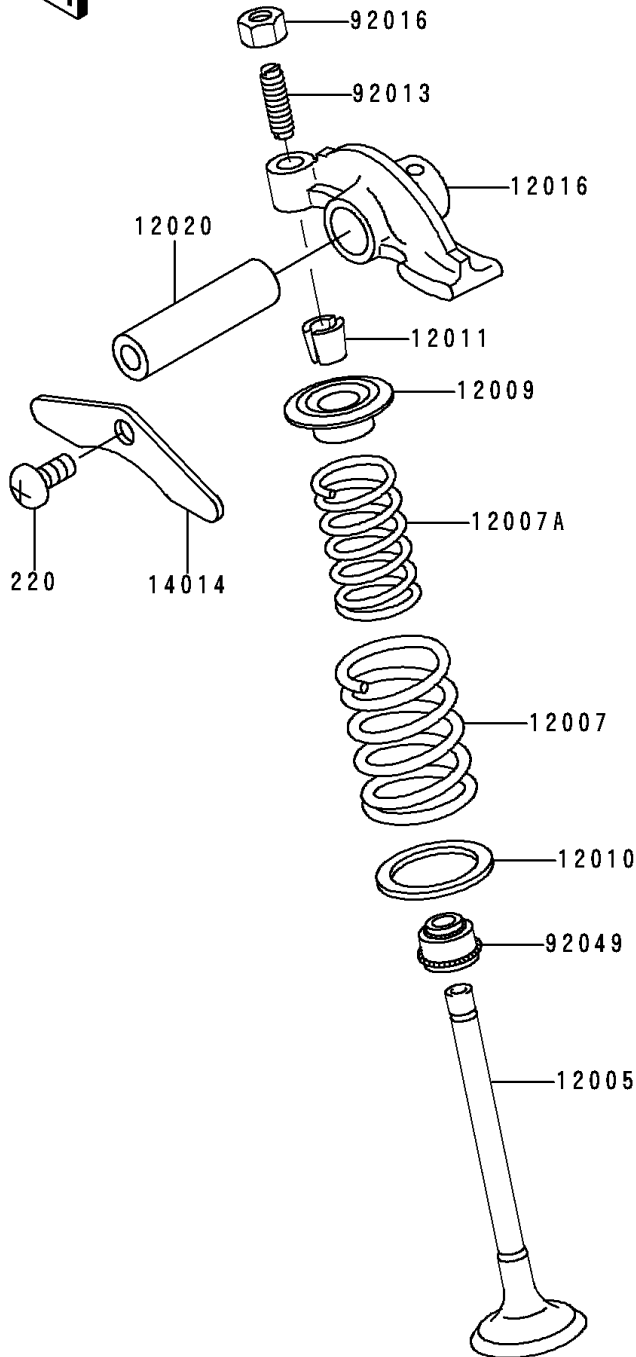


1991 Bayou 300 4X4 PARTS DIAGRAM

Valve(s)

E1210



1991 Bayou 300 4X4 PARTS LIST

Valve(s)

| ITEM NAME | PART NUMBER | QUANTITY |
|--|-------------|----------|
| SCREW-PAN-CROS,6X10 (Ref # 220) | 220B0610 | 1 |
| VALVE-INTAKE (Ref # 12004) | 12004-1123 | 1 |
| VALVE-EXHAUST (Ref # 12005) | 12005-1005 | 1 |
| SPRING-ENGINE VALVE,OUTER (Ref # 12007) | 12007-013 | 2 |
| SPRING-ENGINE VALVE,INNER (Ref # 12007A) | 12007-014 | 2 |
| RETAINER-VALVE SPRING (Ref # 12009) | 12009-006 | 2 |
| SEAT-SPRING,OUTER (Ref # 12010) | 12010-005 | 2 |
| COLLET,RETAINER (Ref # 12011) | 12011-004 | 4 |
| ARM-ROCKER (Ref # 12016) | 12016-1078 | 2 |
| SHAFT-ROCKER (Ref # 12020) | 12020-004 | 2 |
| PLATE-POSITION (Ref # 14014) | 14014-034 | 1 |
| SCREW,6MM (Ref # 92013) | 92013-009 | 2 |
| NUT,6MM (Ref # 92016) | 92016-061 | 2 |
| SEAL-OIL,RV37129.5 (Ref # 92049) | 92049-016 | 2 |