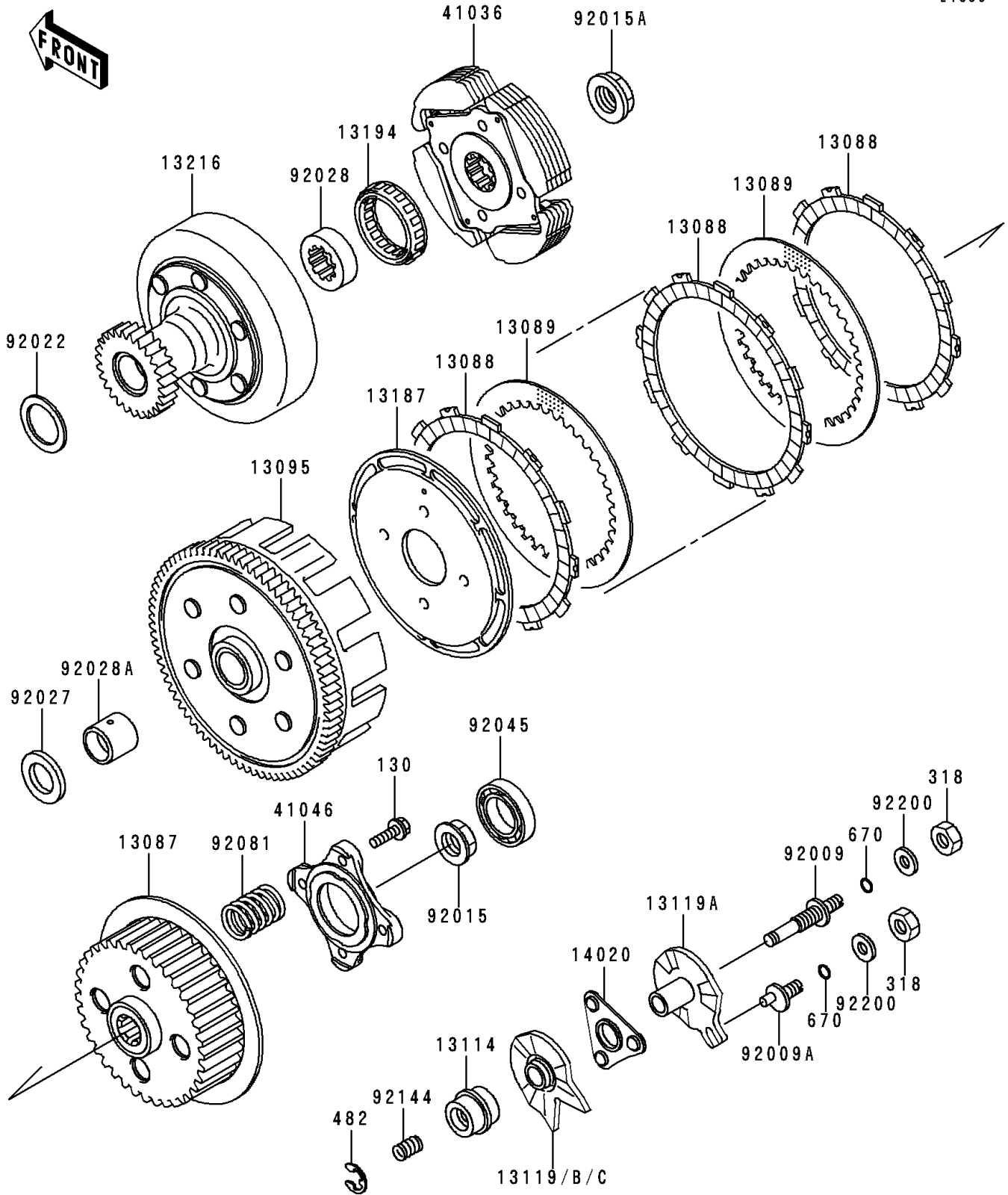


1991 Bayou 300 4X4 PARTS DIAGRAM

Clutch

E1350



1991 Bayou 300 4X4 PARTS LIST

Clutch

| ITEM NAME | PART NUMBER | QUANTITY |
|---------------------------------------|-------------|----------|
| BOLT-FLANGED,6X20 (Ref # 130) | 130P0620 | 4 |
| NUT-HEX-SMALL,8MM (Ref # 318) | 318B0800 | 2 |
| CIRCLIP-TYPE-E,7MM (Ref # 482) | 482J7000 | 1 |
| O RING,8MM (Ref # 670) | 670B1508 | 2 |
| HUB-CLUTCH (Ref # 13087) | 13087-1065 | 1 |
| PLATE-FRICTION (Ref # 13088) | 13088-041 | 5 |
| PLATE-CLUTCH (Ref # 13089) | 13089-1005 | 4 |
| HOUSING-COMP-CLUTCH (Ref # 13095) | 13095-1133 | 1 |
| PUSHER-CLUTCH (Ref # 13114) | 13114-1060 | 1 |
| CAM-RELEASE (Ref # 13119) | 13119-1065 | 1 |
| CAM-RELEASE (Ref # 13119A) | 13119-1067 | 1 |
| CAM-RELEASE (Ref # 13119C) | 13119-1070 | 1 |
| PLATE-CLUTCH OPERATING (Ref # 13187) | 13187-1081 | 1 |
| CLUTCH-ONEWAY (Ref # 13194) | 13194-1055 | 1 |
| GEAR-COMP,CLUTCH,FR (Ref # 13216) | 13216-1073 | 1 |
| RETAINER,CLUTCH RELEASE (Ref # 14020) | 14020-1092 | 1 |
| HUB-ASSY,CLUTCH,FR (Ref # 41036) | 41036-1122 | 1 |
| HOUSING-BEARING (Ref # 41046) | 41046-1063 | 1 |
| SCREW (Ref # 92009) | 92009-1525 | 1 |
| SCREW (Ref # 92009A) | 92009-1526 | 1 |
| NUT,16MM (Ref # 92015) | 92015-1465 | 1 |
| NUT,18MM (Ref # 92015A) | 92015-1512 | 1 |
| WASHER,27.3X38X0.8 (Ref # 92022) | 92022-1989 | 1 |
| COLLAR,20.5X34X4 (Ref # 92027) | 92027-1888 | 1 |
| BUSHING,CLUTCH,FR (Ref # 92028) | 92028-1370 | 1 |
| BUSHING,CLUTCH (Ref # 92028A) | 92028-1371 | 1 |
| BEARING-BALL,#6905 (Ref # 92045) | 92045-036 | 1 |
| SPRING,CLUTCH (Ref # 92081) | 92081-1848 | 4 |
| SPRING (Ref # 92144) | 92144-1272 | 1 |

1991 Bayou 300 4X4 PARTS LIST

Clutch

| ITEM NAME | PART NUMBER | QUANTITY |
|---------------------------------|-------------|----------|
| WASHER,8.5X18X2.3 (Ref # 92200) | 92200-1213 | 2 |