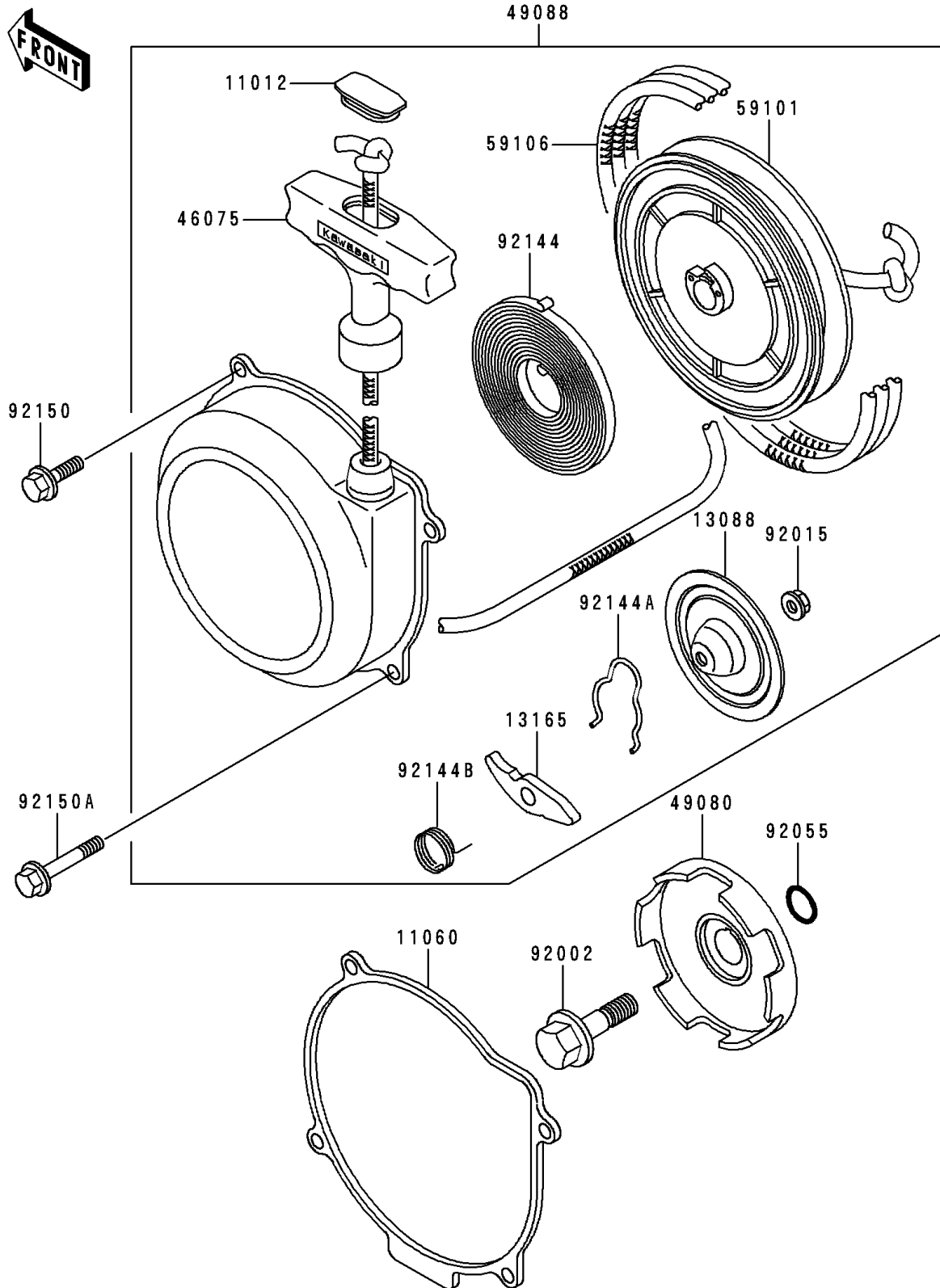


1992 Bayou 300 4X4 PARTS DIAGRAM

Recoil Starter

E3040



1992 Bayou 300 4X4 PARTS LIST

Recoil Starter

ITEM NAME	PART NUMBER	QUANTITY
-----------	-------------	----------