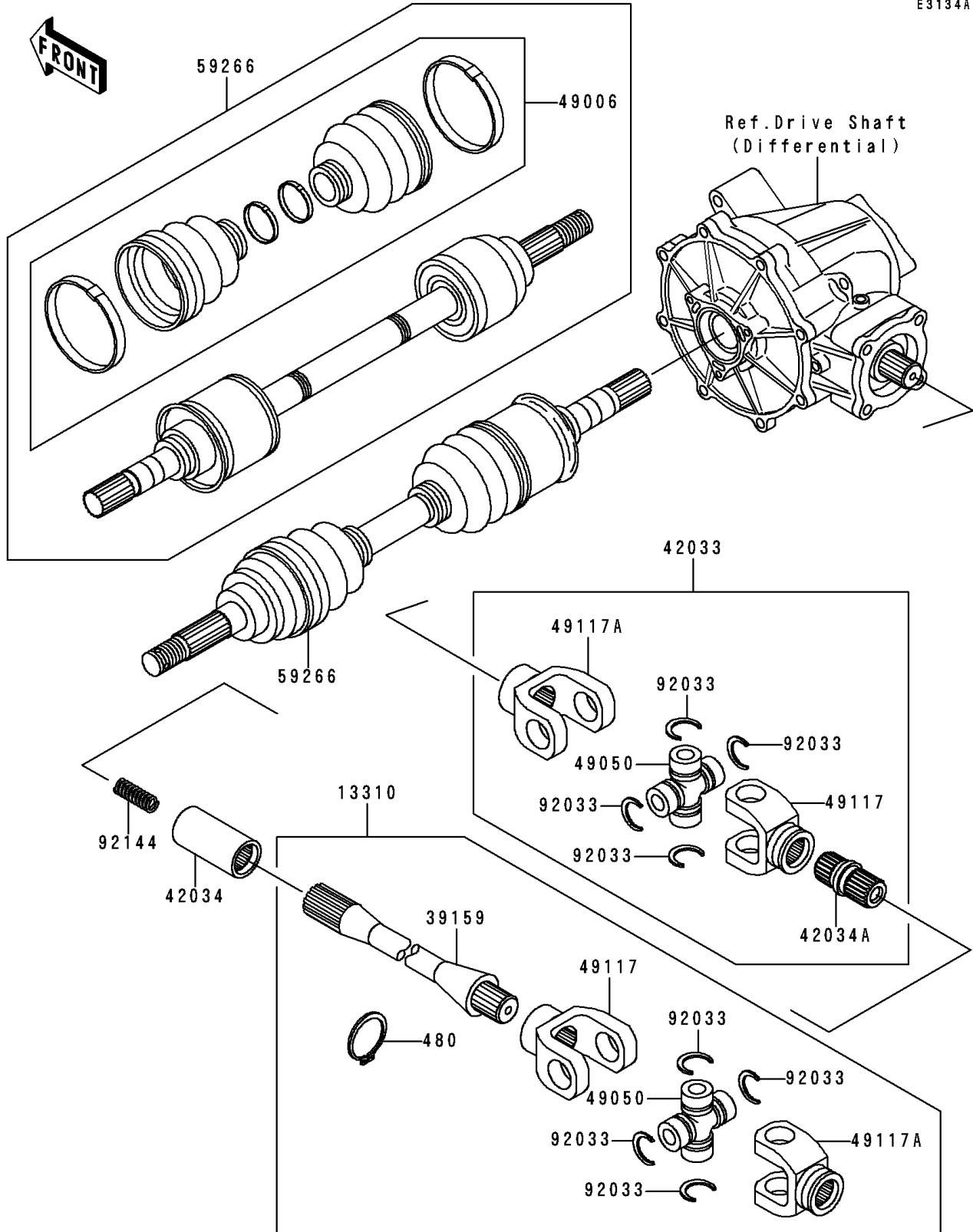


# 1991 Bayou 300 4X4 PARTS DIAGRAM

Drive Shaft(Front)

E3134A



# 1991 Bayou 300 4X4 PARTS LIST

## Drive Shaft(Front)

ITEM NAME	PART NUMBER	QUANTITY
CIRCLIP-TYPE-C,22MM (Ref # 480)	480J2200	1
SHAFT-ASSY (Ref # 13310)	13310-1009	1
SHAFT-DRIVE (Ref # 39159)	39159-1079	1
COUPLING-ASSY (Ref # 42033)	42033-1161	1
COUPLING (Ref # 42034)	42034-1103	1
COUPLING (Ref # 42034A)	42034-1127	1
BOOT,DRIVE SHAFT (Ref # 49006)	49006-1252	2
SPIDER (Ref # 49050)	49050-1055	2
YOKE (Ref # 49117)	49117-1078	2
YOKE (Ref # 49117A)	49117-1079	2
JOINT-BALL (Ref # 59266)	59266-1096	2
RING-SNAP (Ref # 92033)	92033-1158	8
SPRING (Ref # 92144)	92144-1276	1