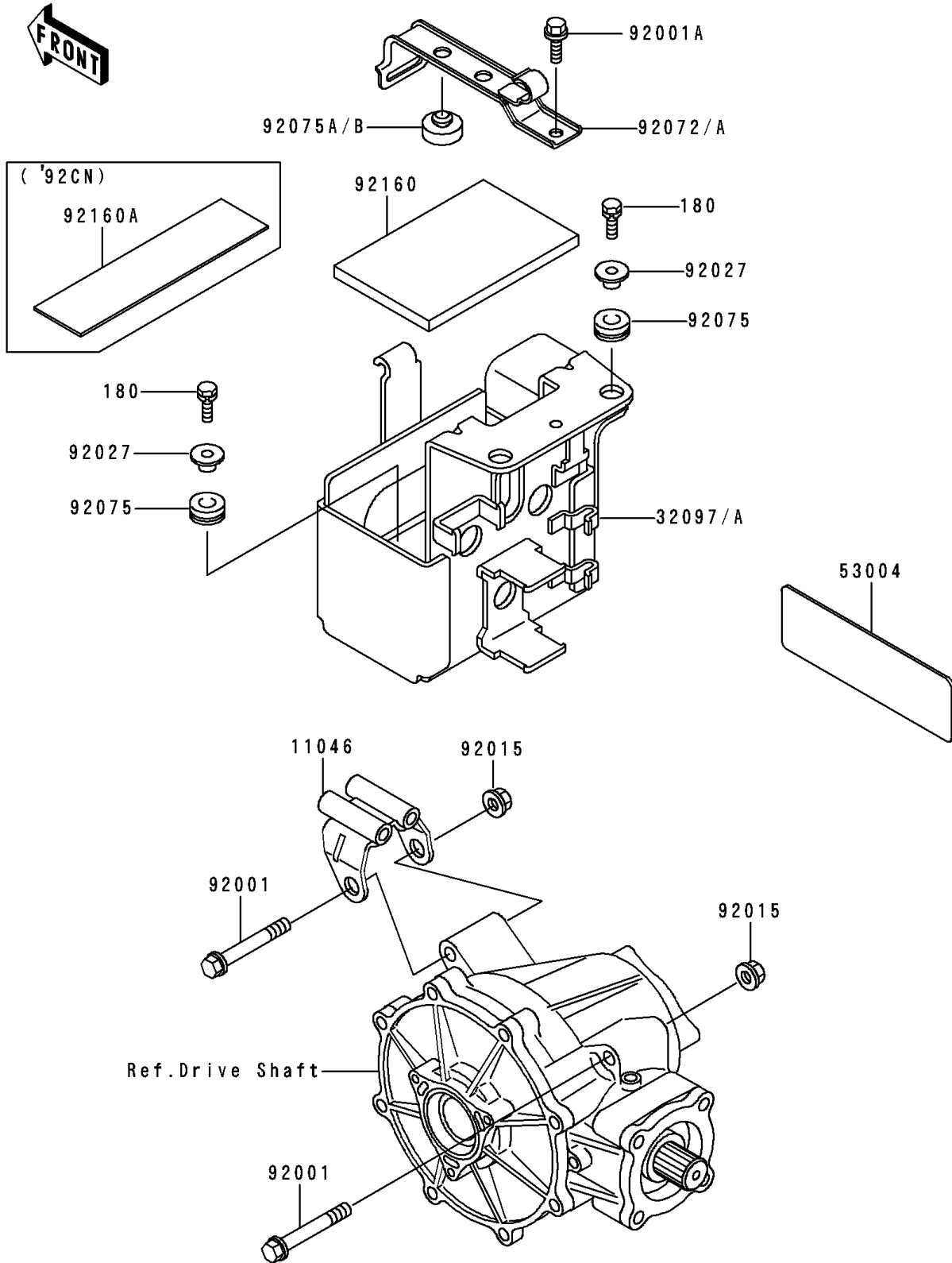


# 1991 Bayou 300 4X4 PARTS DIAGRAM

Battery Case

F2132



# 1991 Bayou 300 4X4 PARTS LIST

## Battery Case

ITEM NAME	PART NUMBER	QUANTITY
BOLT-UPSET-WS (Ref # 180)	180D0620	4
BRACKET,DIFF FITTING (Ref # 11046)	11046-1221	1
CASE-BATTERY (Ref # 32097)	32097-1133	1
MAT (Ref # 53004)	53004-1070	1
BOLT,FLANGED,10X70 (Ref # 92001)	92001-1618	3
BOLT,W/P,6X16 (Ref # 92001A)	92001-1860	1
NUT,FLANGED,10MM (Ref # 92015)	92015-1335	3
COLLAR,L=9.6 (Ref # 92027)	92027-1045	4
BAND,BATTERY (Ref # 92072)	92072-1230	1
DAMPER (Ref # 92075)	92075-1167	4
DAMPER (Ref # 92075B)	92075-281	2
DAMPER,BATTERY (Ref # 92160)	92160-1100	1