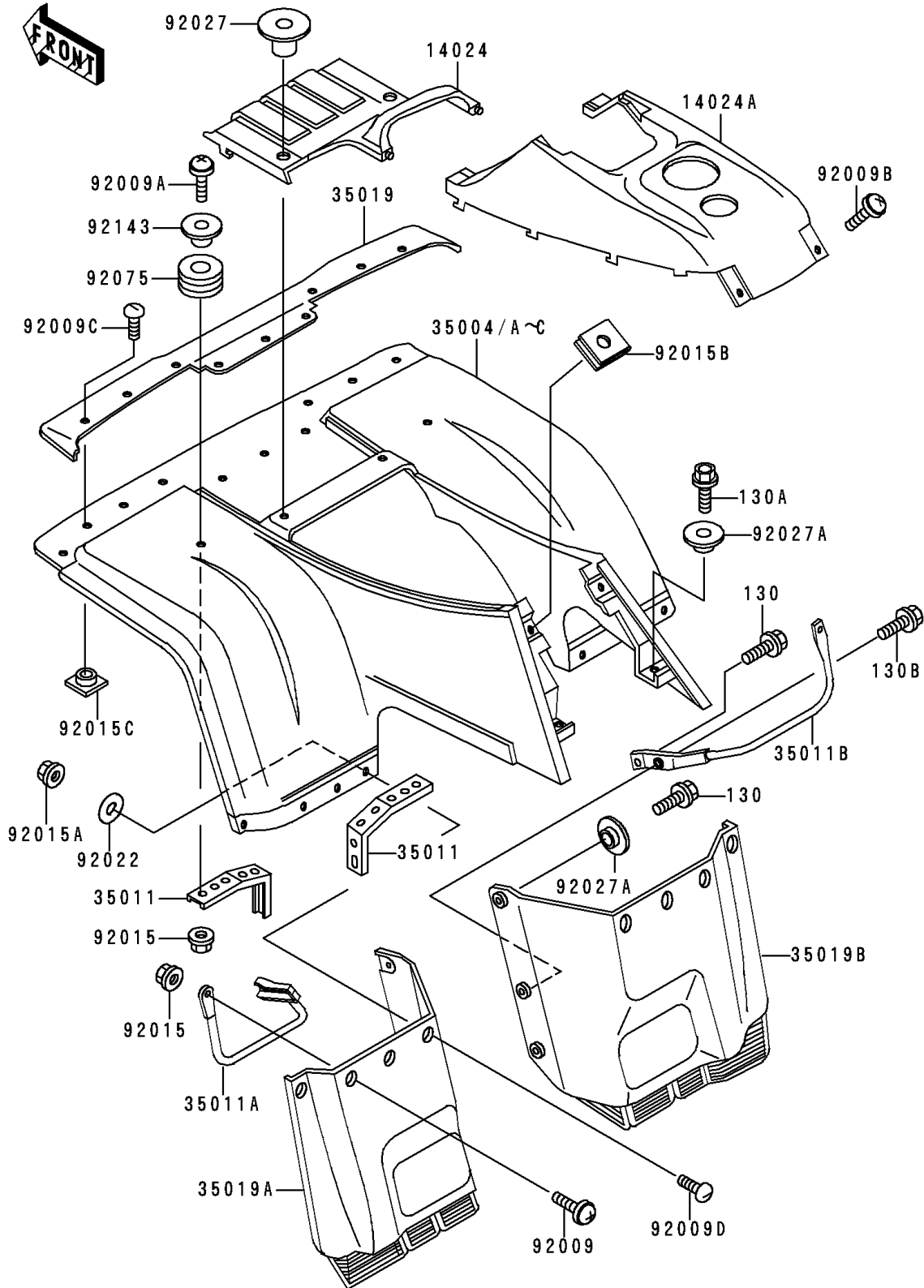


1989 Bayou 300 4X4 PARTS DIAGRAM

Front Fender(s)

F2171



1989 Bayou 300 4X4 PARTS LIST

Front Fender(s)

| ITEM NAME | PART NUMBER | QUANTITY |
|--|---------------|----------|
| BOLT-FLANGED,6X14 (Ref # 130) | 130C0614 | 6 |
| BOLT-FLANGED,6X16 (Ref # 130A) | 130C0616 | 2 |
| BOLT-FLANGED,6X20 (Ref # 130B) | 130C0620 | 2 |
| COVER,FRONT FENDER,FR,BLACK (Ref # 14024) | 14024-1656-6D | 1 |
| COVER,FRONT FENDER,RR,BLACK (Ref # 14024A) | 14024-1657-6D | 1 |
| FENDER-FRONT,BLACK (Ref # 35004) | 35004-1223-6D | 1 |
| STAY,FRONT FENDER,UPP (Ref # 35011) | 35011-1420 | 2 |
| STAY,FRONT FENDER,LH,FLAP (Ref # 35011A) | 35011-1421 | 1 |
| STAY,FRONT FENDER,RH,FLAP (Ref # 35011B) | 35011-1422 | 1 |
| FLAP,FR (Ref # 35019) | 35019-1215 | 1 |
| FLAP,FR,LWR,LH (Ref # 35019A) | 35019-1216 | 1 |
| FLAP,FR,LWR,RH (Ref # 35019B) | 35019-1217 | 1 |
| SCREW,6X18,BLACK (Ref # 92009) | 92009-1181 | 2 |
| SCREW,6X22,BLACK (Ref # 92009A) | 92009-1256 | 2 |
| SCREW,6X14 (Ref # 92009B) | 92009-1288 | 2 |
| SCREW,6X11 (Ref # 92009C) | 92009-1562 | 11 |
| SCREW,6X16 (Ref # 92009D) | 92009-1621 | 6 |
| NUT,FLANGED,6MM,BLACK (Ref # 92015) | 92015-1233 | 4 |
| NUT,LOCK,FLANGED,6MM (Ref # 92015A) | 92015-1675 | 6 |
| NUT,CLAMP,6MM (Ref # 92015B) | 92015-1678 | 2 |
| NUT,6MM (Ref # 92015C) | 92015-1722 | 11 |
| WASHER,6.5X16X1.0 (Ref # 92022) | 92022-1093 | 6 |
| COLLAR,L=14 (Ref # 92027) | 92027-1134 | 2 |
| COLLAR,L=4.7 (Ref # 92027A) | 92027-122 | 6 |
| DAMPER,CASE (Ref # 92075) | 92075-222 | 2 |
| COLLAR,L=9.6 (Ref # 92143) | 92143-1016 | 2 |
| FENDER-FRONT,F.RED (Ref # 35004A) | 35004-1223-6L | 1 |