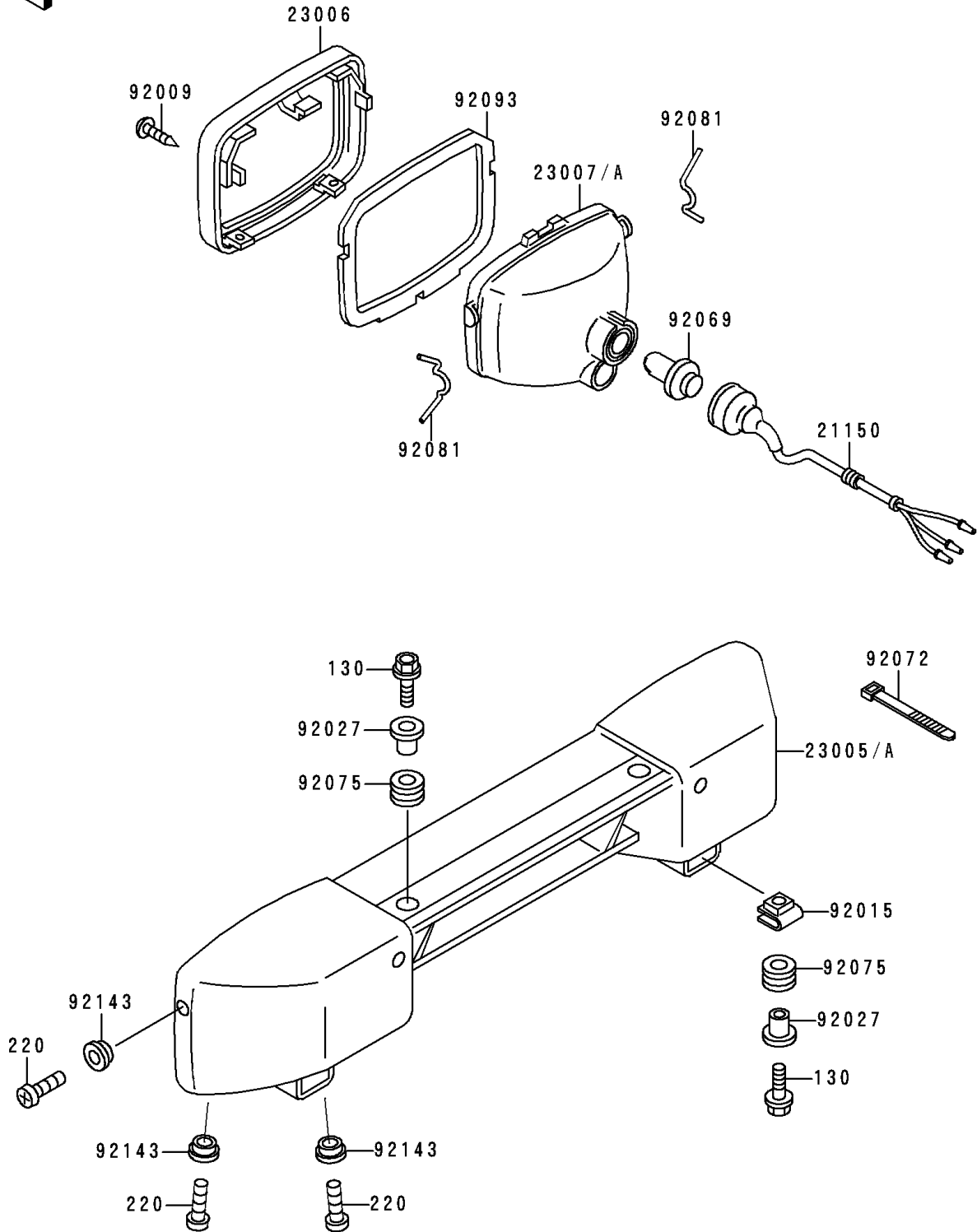


# 1989 Bayou 300 4X4 PARTS DIAGRAM

Headlight(s)

F2710



# 1989 Bayou 300 4X4 PARTS LIST

## Headlight(s)

ITEM NAME	PART NUMBER	QUANTITY
BOLT-FLANGED,6X25 (Ref # 130)	130J0625	4
SCREW-PAN-CROS,5X16,BLACK (Ref # 220)	220C0516	6
CORD-ASSY,HEAD LAMP (Ref # 21150)	21150-1053	2
BODY-COMP-HEAD LAMP (Ref # 23005)	23005-1091	1
RIM-LAMP (Ref # 23006)	23006-1062	2
LENS-COMP,HEAD LAMP (Ref # 23007)	23007-1201	2
SCREW,TAPPING,4X30 (Ref # 92009)	92009-1139	2
NUT,CLAMP,6MM (Ref # 92015)	92015-1678	2
COLLAR,L=16.1 (Ref # 92027)	92027-1847	4
BULB,12V 25/25W (Ref # 92069)	92069-1010	2
BAND,L=149 (Ref # 92072)	92072-031	2
DAMPER (Ref # 92075)	92075-1690	4
SPRING,LAMP RIM (Ref # 92081)	92081-1334	4
SEAL,HEAD LAMP (Ref # 92093)	92093-1261	2
COLLAR (Ref # 92143)	92143-1234	6