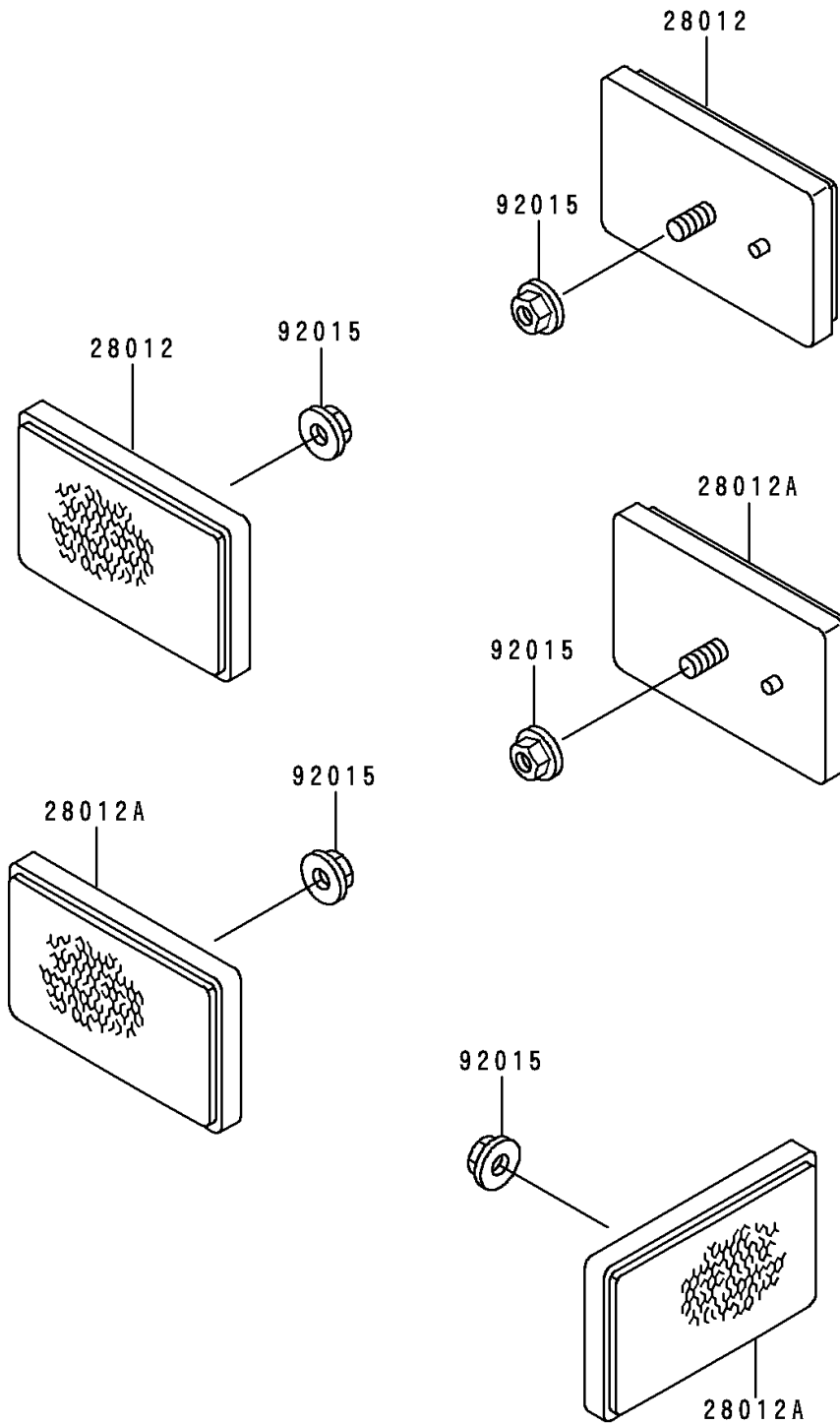


# 1990 Bayou 300 4X4 PARTS DIAGRAM

Reflectors

F2790



# 1990 Bayou 300 4X4 PARTS LIST

Reflectors

ITEM NAME	PART NUMBER	QUANTITY
-----------	-------------	----------