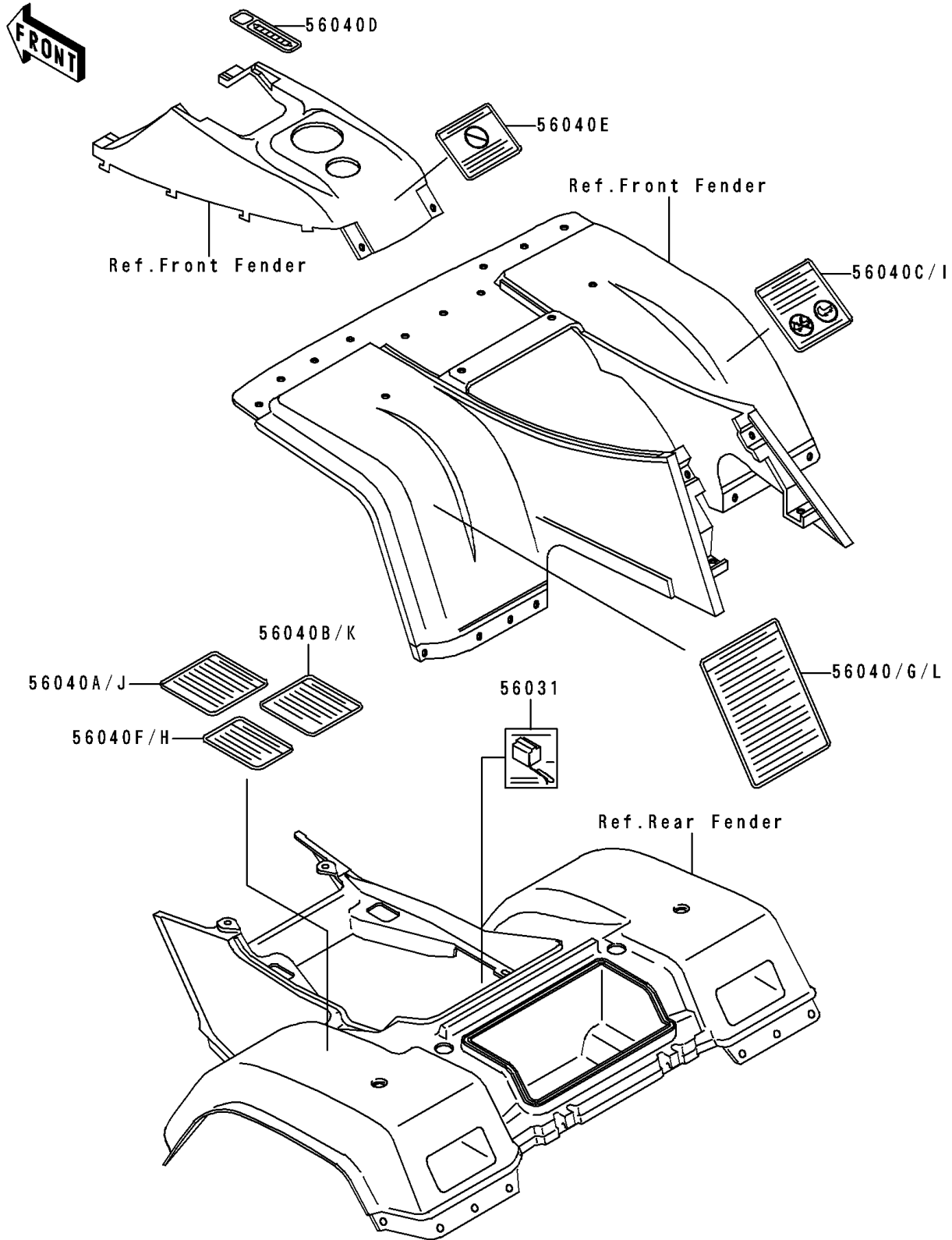


1992 Bayou 300 4X4 PARTS DIAGRAM

Labels

F2860



1992 Bayou 300 4X4 PARTS LIST

Labels

| ITEM NAME | PART NUMBER | QUANTITY |
|--|-------------|----------|
| LABEL-MANUAL,BATTERY VENT (Ref # 56031) | 56031-1607 | 1 |
| LABEL-WARNING,SERIOUS INJURY (Ref # 56040) | 56040-1256 | 1 |
| LABEL-WARNING,TIRE PRESSURE (Ref # 56040A) | 56040-1257 | 1 |
| LABEL-WARNING,MAXIMUM LOAD (Ref # 56040B) | 56040-1258 | 1 |
| LABEL-WARNING,TRANSPORT (Ref # 56040C) | 56040-1261 | 1 |
| LABEL-WARNING,SHIFT PATTERN (Ref # 56040D) | 56040-1262 | 1 |
| LABEL-WARNING,UNDER 16 (Ref # 56040E) | 56040-1276 | 1 |
| LABEL-WARNING,NO PASSENGER (Ref # 56040F) | 56040-1277 | 1 |
| LABEL-WARNING,NO PASSENGER (Ref # 56040H) | 56040-1280 | 1 |
| LABEL-WARNING,TRANSPORT (Ref # 56040I) | 56040-1283 | 1 |
| LABEL-WARNING,TIRE PRESSURE (Ref # 56040J) | 56040-1286 | 1 |
| LABEL-WARNING,LOAD CAPACITY (Ref # 56040K) | 56040-1287 | 1 |
| LABEL-WARNING,AGE (Ref # 56040M) | 56040-1325 | 1 |
| LABEL-WARNING,GENERAL (Ref # 56040N) | 56040-1326 | 1 |