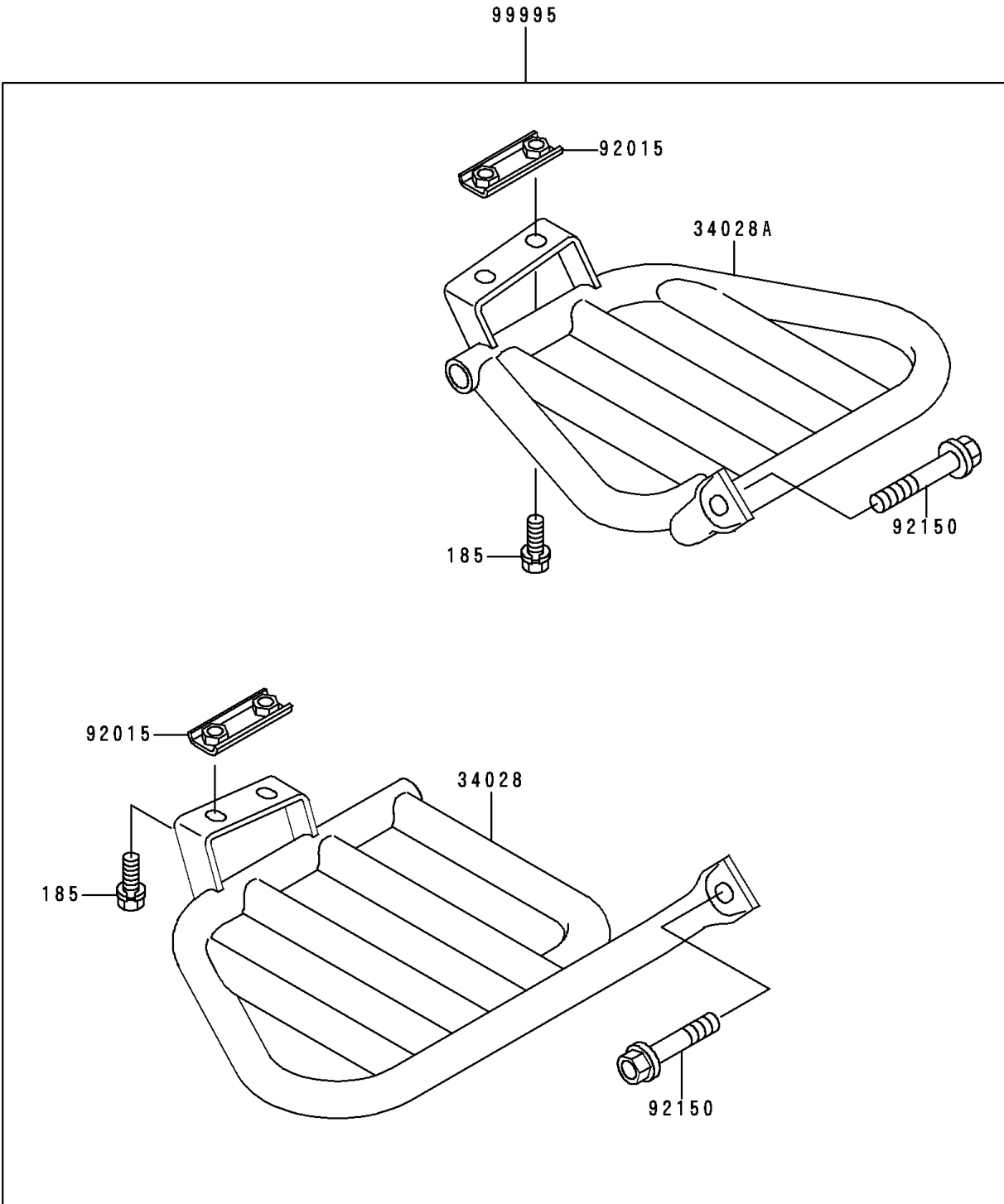


# 1990 Bayou 300 4X4 PARTS DIAGRAM

Optional Parts(Step)

F2890A



# 1990 Bayou 300 4X4 PARTS LIST

Optional Parts(Step)

ITEM NAME	PART NUMBER	QUANTITY
-----------	-------------	----------