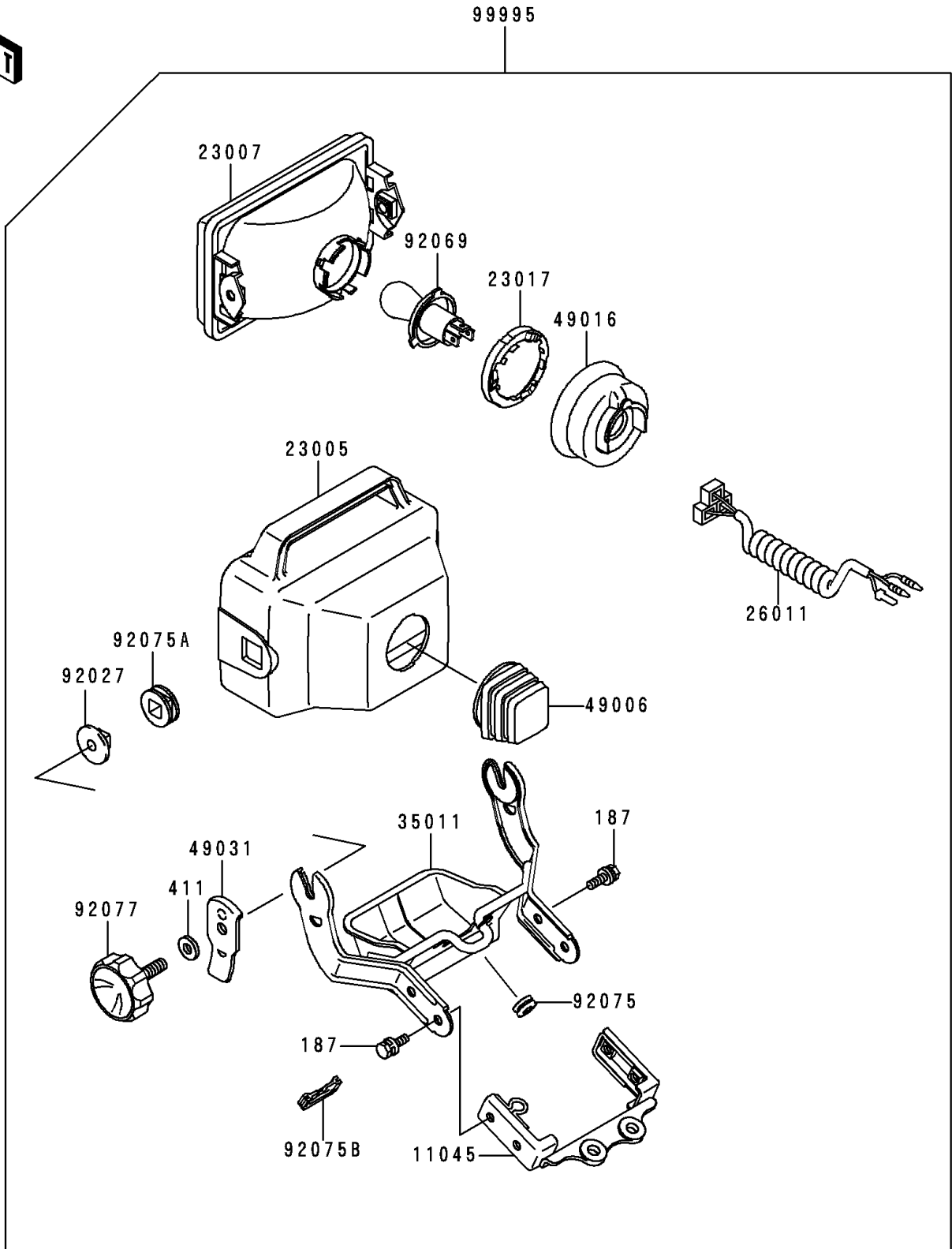


1992 Bayou 300 4X4 PARTS DIAGRAM

Optional Parts(Headlight)

F2890C



1992 Bayou 300 4X4 PARTS LIST

Optional Parts(Headlight)

ITEM NAME	PART NUMBER	QUANTITY
-----------	-------------	----------