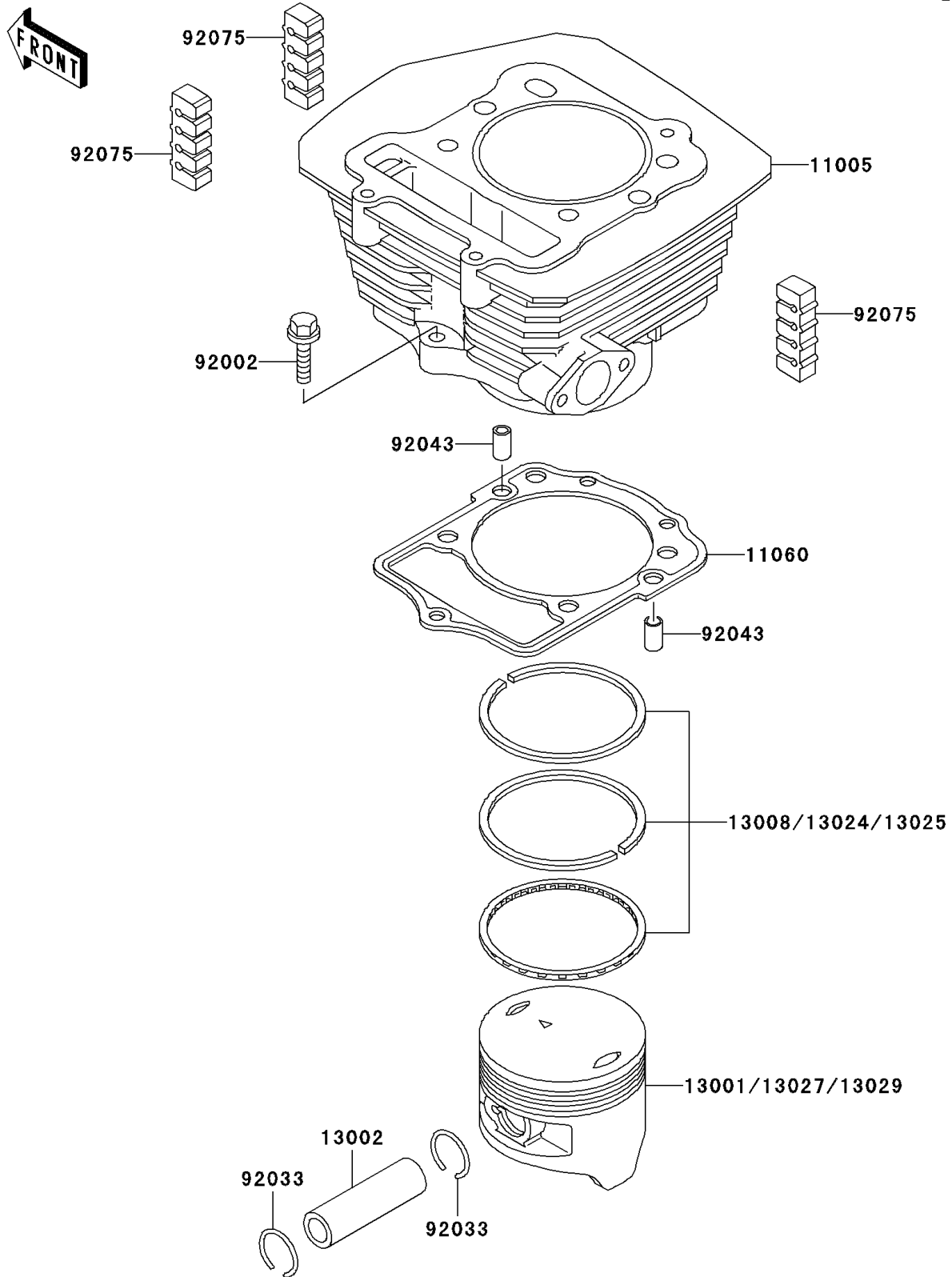


1999 Bayou 300 4X4 PARTS DIAGRAM

Cylinder/Piston(s)

E1120



1999 Bayou 300 4X4 PARTS LIST

Cylinder/Piston(s)

| ITEM NAME | PART NUMBER | QUANTITY |
|---|-------------|----------|
| CYLINDER-ENGINE (Ref # 11005) | 11005-1533 | 1 |
| GASKET,CYLINDER BASE (Ref # 11060) | 11060-1652 | 1 |
| PISTON-ENGINE,STD (Ref # 13001) | 13001-1430 | 1 |
| PIN-PISTON (Ref # 13002) | 13002-1059 | 1 |
| RING-SET-PISTON,STD (Ref # 13008) | 13008-1111 | 1 |
| RING-SET-PISTON LL,O/S 1.00 (Ref # 13024) | 13024-1080 | 1 |
| RING-SET-PISTON L,O/S 0.50 (Ref # 13025) | 13025-1093 | 1 |
| PISTON-ENGINE LL,O/S 1.00 (Ref # 13027) | 13027-1178 | 1 |
| PISTON-ENGINE L,O/S 0.50 (Ref # 13029) | 13029-1224 | 1 |
| BOLT,6X28 (Ref # 92002) | 92002-1105 | 1 |
| RING-SNAP,20.5X1.2 (Ref # 92033) | 92033-1099 | 2 |
| PIN,6.2X8X14 (Ref # 92043) | 92043-1263 | 2 |
| DAMPER (Ref # 92075) | 92075-1657 | 3 |