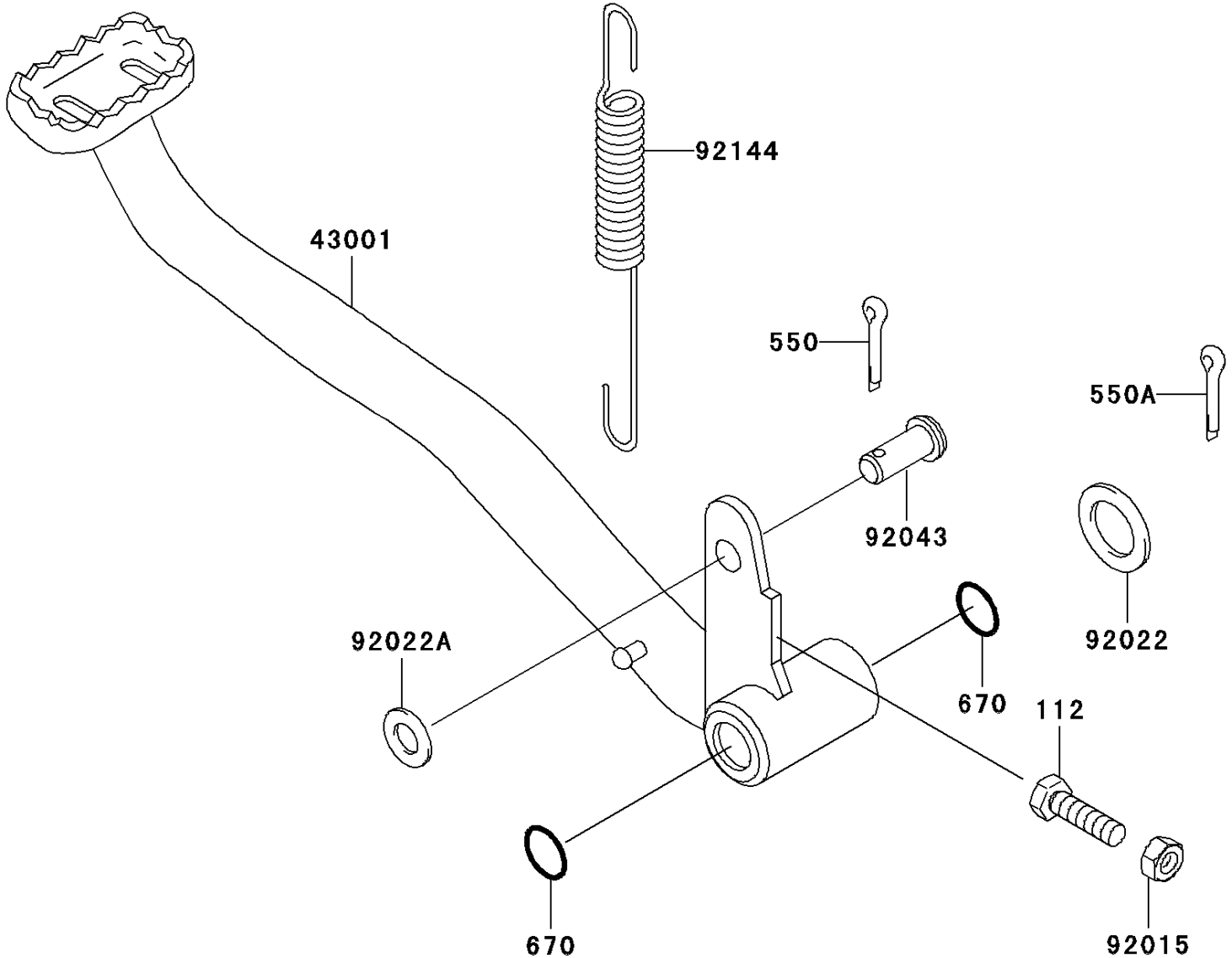


2005 Bayou 300 4X4 (Canada Only) PARTS DIAGRAM

Brake Pedal

F2260



2005 Bayou 300 4X4 (Canada Only) PARTS LIST

Brake Pedal

| ITEM NAME | PART NUMBER | QUANTITY |
|---|-------------|----------|
| BOLT-UPSET (Ref # 112) | 112D0622 | 1 |
| PIN-COTTER,2.0X15 (Ref # 550) | 550D2015 | 1 |
| PIN-COTTER,2.5X25 (Ref # 550A) | 550D2525 | 1 |
| O RING,15MM (Ref # 670) | 670B2015 | 2 |
| LEVER-BRAKE,PEDAL (Ref # 43001) | 43001-1253 | 1 |
| NUT,6MM (Ref # 92015) | 92015-1410 | 1 |
| WASHER,15.5X24X1.6 (Ref # 92022) | 92022-1049 | 1 |
| WASHER,8.5X16X1.2 (Ref # 92022A) | 92022-1582 | 1 |
| PIN,8X16 (Ref # 92043) | 92043-1013 | 1 |
| SPRING,BRAKE PEDAL RETURN (Ref # 92144) | 92144-1317 | 1 |