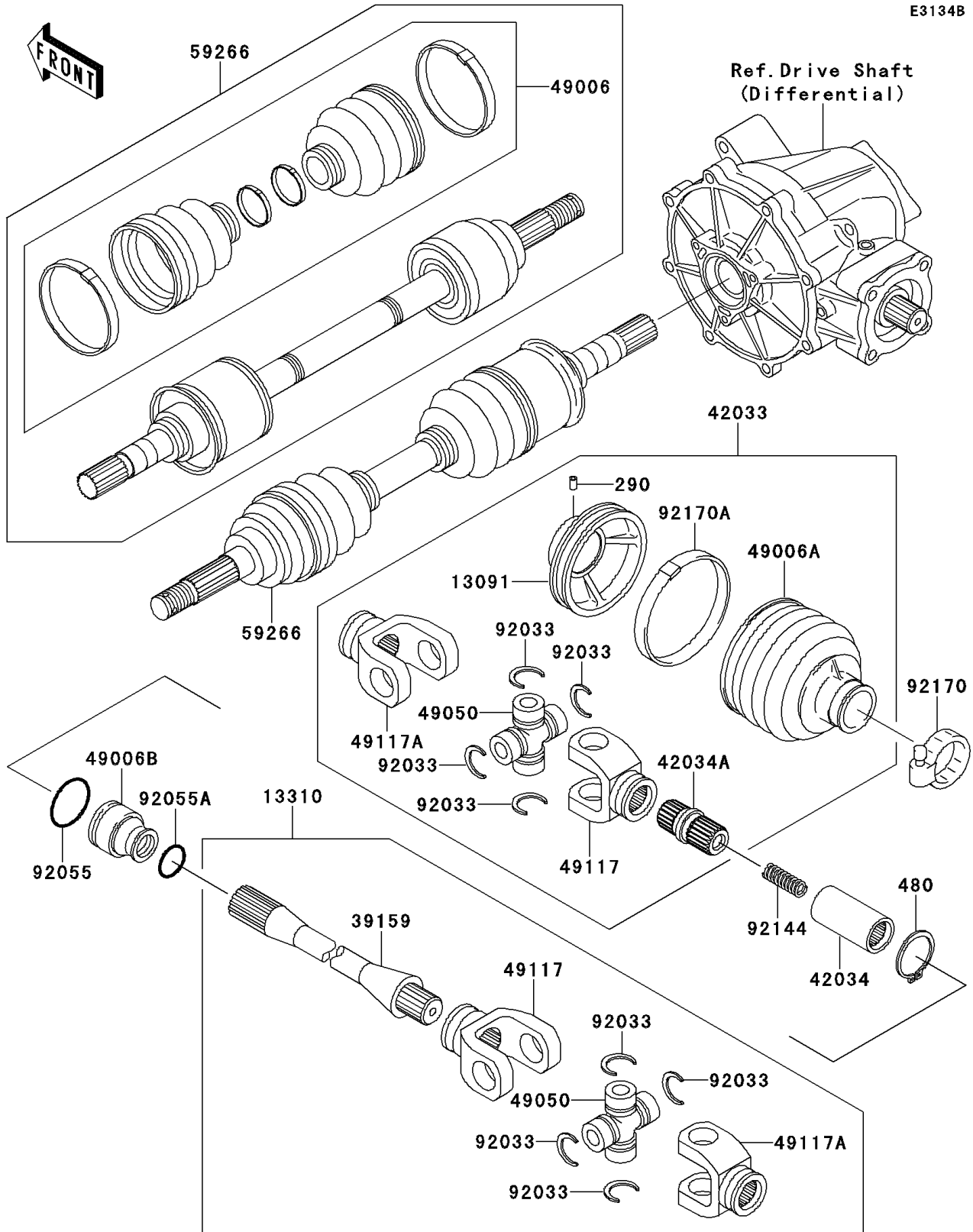


1997 Bayou 300 4X4 PARTS DIAGRAM

Drive Shaft(Front)(KLF300-C7&NAMI.C9)

E3134B



1997 Bayou 300 4X4 PARTS LIST

Drive Shaft(Front)(KLF300-C7&NAMI.C9)

ITEM NAME	PART NUMBER	QUANTITY
SCREW-SET-SOCKET (Ref # 290)	290Q0508	2
CIRCLIP-TYPE-C,22MM (Ref # 480)	480J2200	1
HOLDER (Ref # 13091)	13091-1863	1
SHAFT-ASSY,DRIVE (Ref # 13310)	13310-1014	1
SHAFT-DRIVE (Ref # 39159)	39159-1097	1
COUPLING-ASSY (Ref # 42033)	42033-1189	1
COUPLING (Ref # 42034)	42034-1103	1
COUPLING (Ref # 42034A)	42034-1127	1
BOOT,DRIVE SHAFT (Ref # 49006)	49006-1252	2
BOOT,COUPLING (Ref # 49006A)	49006-1293	1
BOOT,DRIVE SHAFT (Ref # 49006B)	49006-1295	1
SPIDER (Ref # 49050)	49050-1055	2
YOKE (Ref # 49117)	49117-1080	2
YOKE (Ref # 49117A)	49117-1081	2
JOINT-BALL (Ref # 59266)	59266-1096	2
RING-SNAP (Ref # 92033)	92033-1158	8
RING-O,19.5X3.0 (Ref # 92055)	92055-1451	1
RING-O,15X3.0 (Ref # 92055A)	92055-1531	1
SPRING (Ref # 92144)	92144-1276	1
CLAMP (Ref # 92170)	92170-1678	1
CLAMP (Ref # 92170A)	92170-1727	1