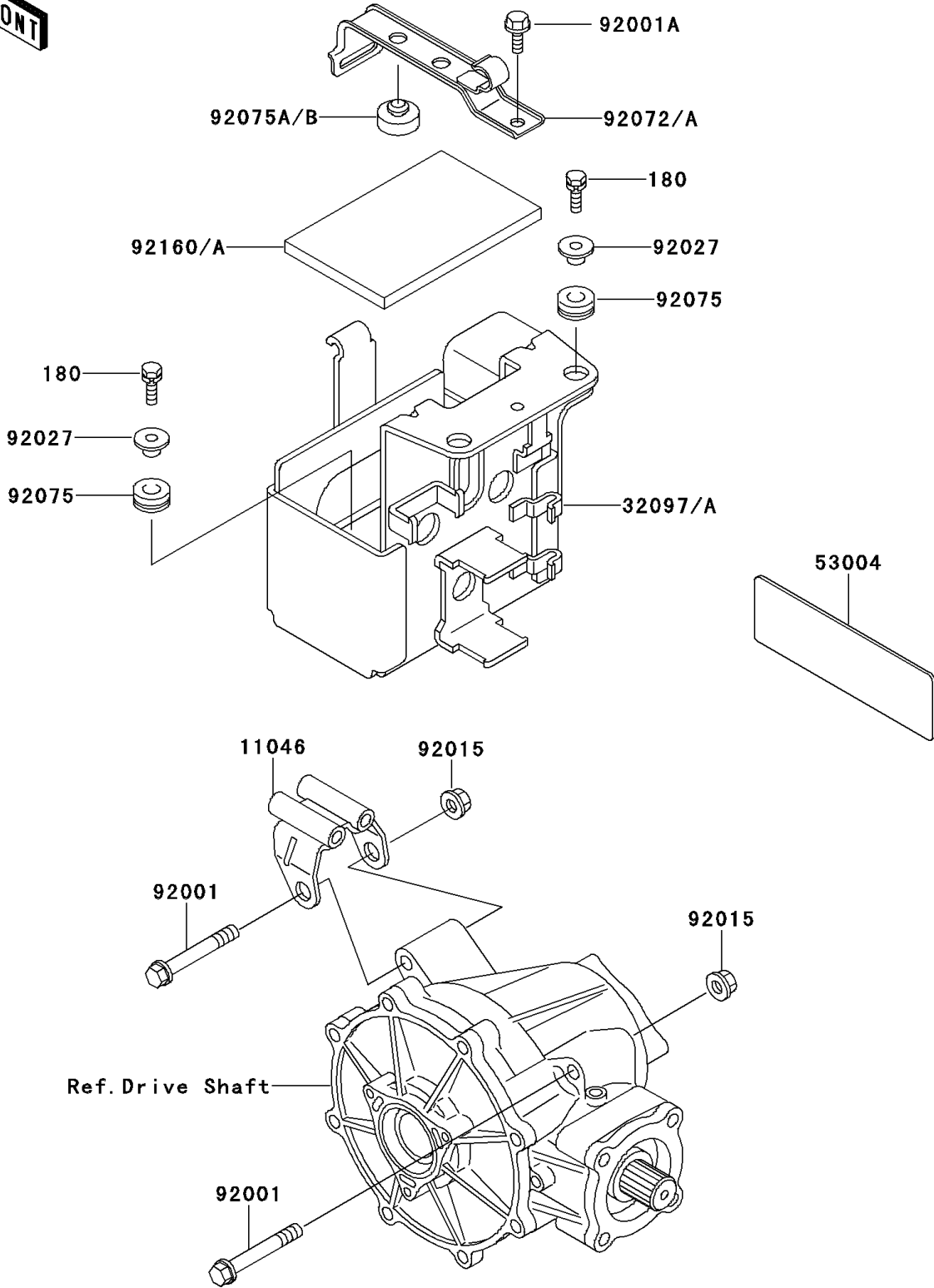


1993 Bayou 300 4X4 PARTS DIAGRAM

Battery Case

F2132



1993 Bayou 300 4X4 PARTS LIST

Battery Case

| ITEM NAME | PART NUMBER | QUANTITY |
|------------------------------------|-------------|----------|
| BOLT-UPSET-WS (Ref # 180) | 180D0620 | 4 |
| BRACKET,DIFF FITTING (Ref # 11046) | 11046-1221 | 1 |
| MAT (Ref # 53004) | 53004-1070 | 1 |
| BOLT,FLANGED,10X70 (Ref # 92001) | 92001-1618 | 3 |
| BOLT,W/P,6X16 (Ref # 92001A) | 92001-1860 | 1 |
| NUT,FLANGED,10MM (Ref # 92015) | 92015-1335 | 3 |
| COLLAR,L=9.6 (Ref # 92027) | 92027-1045 | 4 |
| DAMPER (Ref # 92075) | 92075-1167 | 4 |
| CASE-BATTERY (Ref # 32097) | 32097-1133 | 1 |
| CASE-BATTERY (Ref # 32097A) | 32097-1144 | 1 |
| BAND,BATTERY (Ref # 92072) | 92072-1230 | 1 |
| BAND,BATTERY (Ref # 92072A) | 92072-1290 | 1 |
| DAMPER (Ref # 92075A) | 92075-1876 | 2 |
| DAMPER (Ref # 92075B) | 92075-281 | 2 |
| DAMPER,BATTERY (Ref # 92160) | 92160-1100 | 1 |
| DAMPER (Ref # 92160A) | 92160-1266 | 2 |