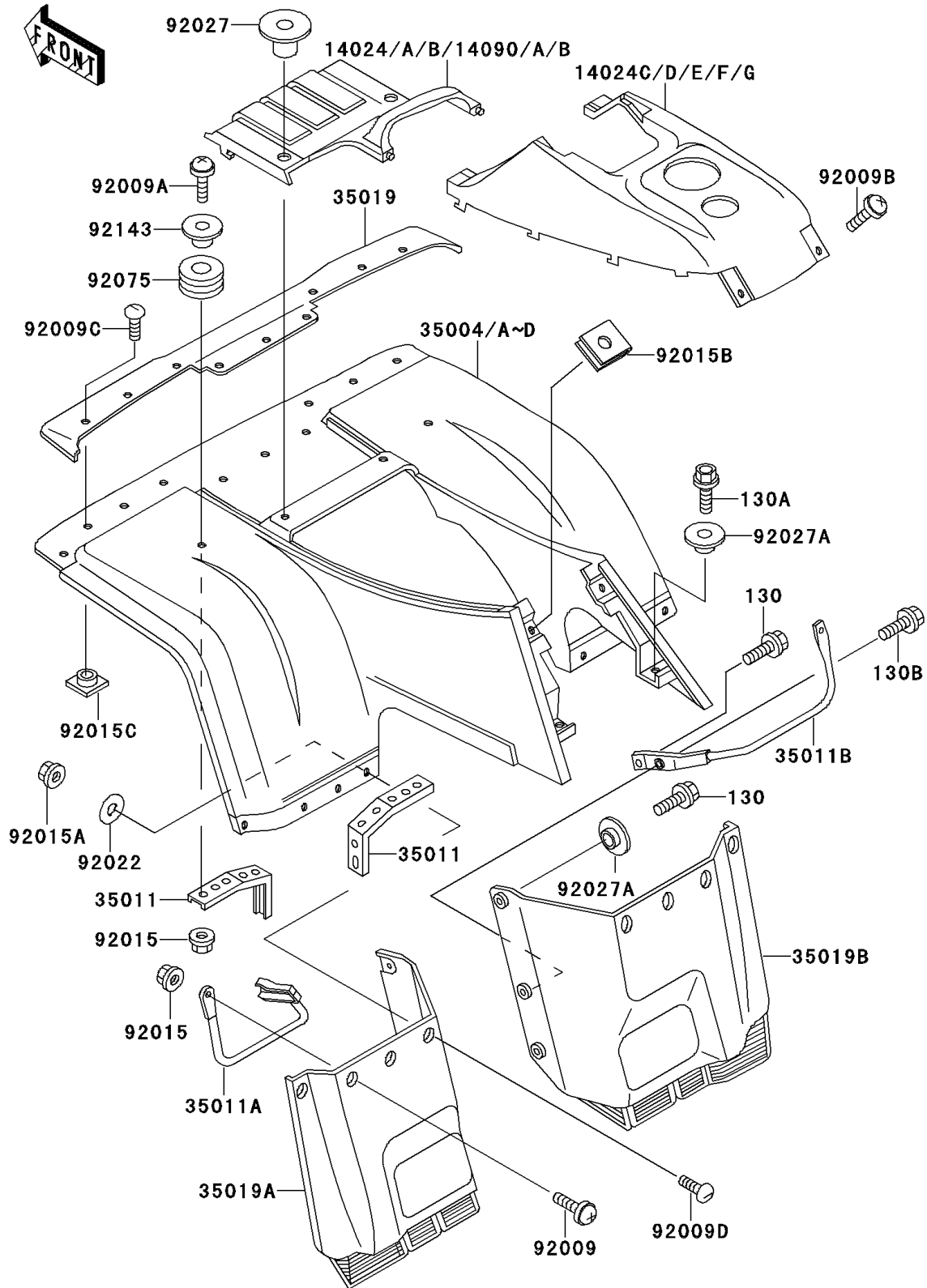


1993 Bayou 300 4X4 PARTS DIAGRAM

Front Fender(s)

F2171



1993 Bayou 300 4X4 PARTS LIST

Front Fender(s)

ITEM NAME	PART NUMBER	QUANTITY
BOLT-FLANGED,6X14 (Ref # 130)	130C0614	6
BOLT-FLANGED,6X16 (Ref # 130A)	130C0616	2
BOLT-FLANGED,6X20 (Ref # 130B)	130C0620	2
COVER,FRONT FENDER,FR,BLACK (Ref # 14024B)	14090-1656-6D	1
COVER,FRONT FENDER,RR,BLACK (Ref # 14024F)	14024-1657-6D	1
FENDER-FRONT,BLACK (Ref # 35004C)	35004-1273-6D	1
FENDER-FRONT,F.RED (Ref # 35004D)	35004-1273-6L	1
STAY,FRONT FENDER,UPP (Ref # 35011)	35011-1420	2
STAY,FRONT FENDER,LH,FLAP (Ref # 35011A)	35011-1421	1
STAY,FRONT FENDER,RH,FLAP (Ref # 35011B)	35011-1422	1
FLAP,FR (Ref # 35019)	35019-1215	1
FLAP,FR,LWR,LH (Ref # 35019A)	35019-1216	1
FLAP,FR,LWR,RH (Ref # 35019B)	35019-1217	1
SCREW,6X18,BLACK (Ref # 92009)	92009-1181	2
SCREW,6X22,BLACK (Ref # 92009A)	92009-1256	2
SCREW,6X14 (Ref # 92009B)	92009-1288	2
SCREW,6X11 (Ref # 92009C)	92009-1562	11
SCREW,6X16 (Ref # 92009D)	92009-1621	6
NUT,FLANGED,6MM,BLACK (Ref # 92015)	92015-1233	4
NUT,LOCK,FLANGED,6MM (Ref # 92015A)	92015-1675	6
NUT,CLAMP,6MM (Ref # 92015B)	92015-1678	2
NUT,6MM (Ref # 92015C)	92015-1722	11
WASHER,6.5X16X1.0 (Ref # 92022)	92022-1093	6
COLLAR,L=14 (Ref # 92027)	92027-1134	2
COLLAR,L=4.7 (Ref # 92027A)	92027-122	6
DAMPER,CASE (Ref # 92075)	92075-222	2
COLLAR,L=9.6 (Ref # 92143)	92143-1016	2