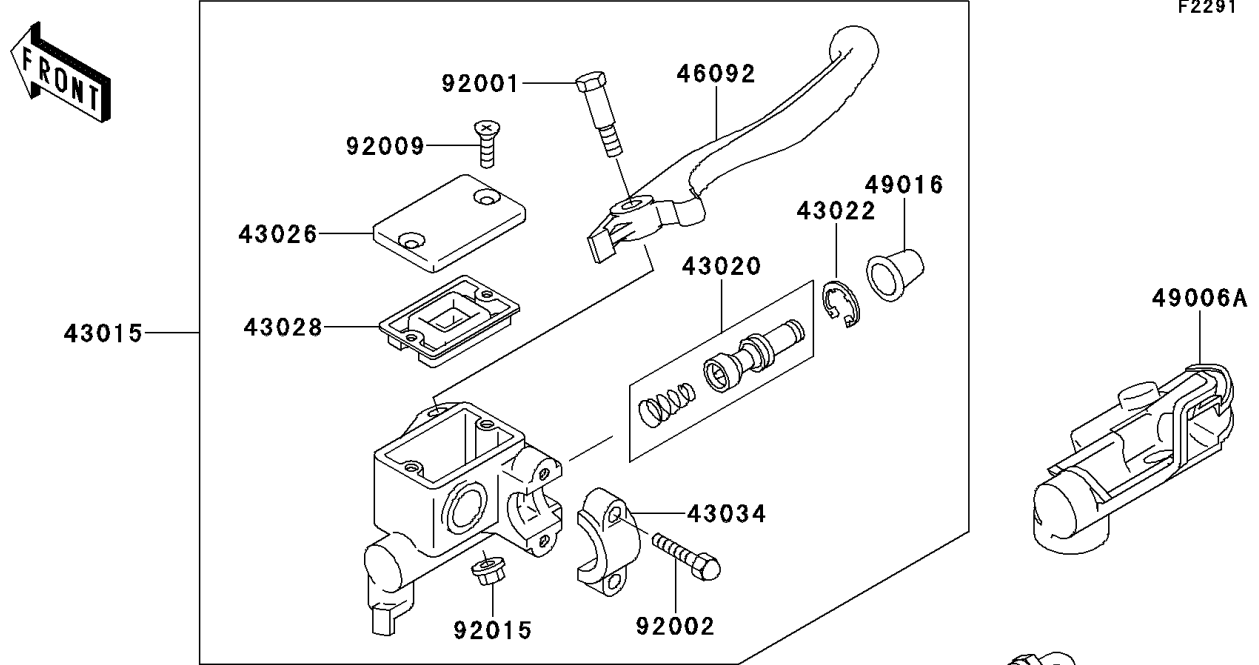
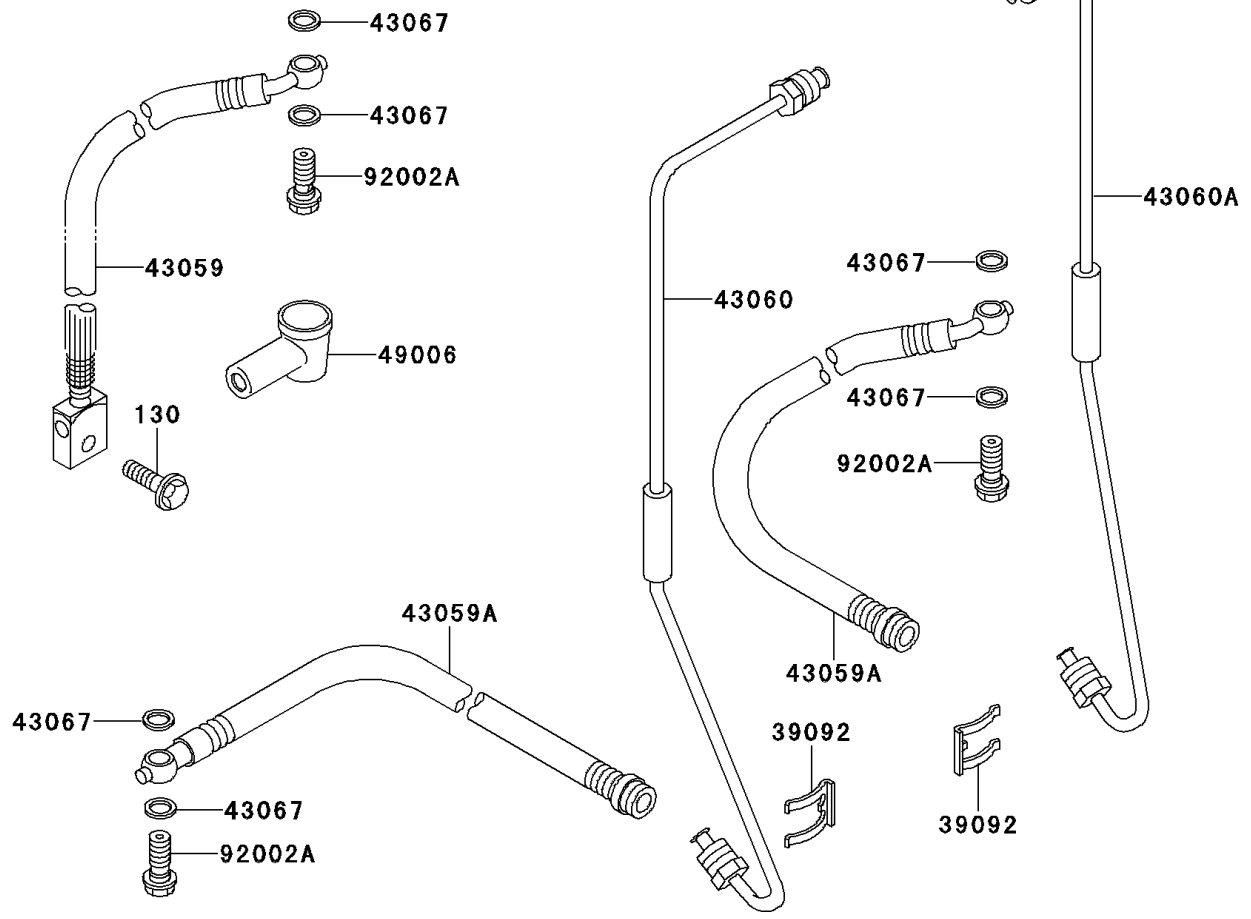


# 1994 Bayou 300 4X4 PARTS DIAGRAM

Front Master Cylinder



F2291



# 1994 Bayou 300 4X4 PARTS LIST

## Front Master Cylinder

ITEM NAME	PART NUMBER	QUANTITY
BOLT-FLANGED,8X25 (Ref # 130)	130B0825	1
PIN-HAIR (Ref # 39092)	39092-1052	2
CYLINDER-ASSY-MASTER,FR (Ref # 43015)	43015-1489	1
PISTON-COMP-BRAKE,FR (Ref # 43020)	43020-1056	1
STOPPER-BRAKE,PISTON (Ref # 43022)	43022-1010	1
CAP-BRAKE (Ref # 43026)	43026-1074	1
DIAPHRAGM (Ref # 43028)	43028-1061	1
HOLDER-BRAKE,MASTER CYLINDER (Ref # 43034)	43034-1016	1
HOSE-BRAKE,FR (Ref # 43059)	43059-1443	1
HOSE-BRAKE,FR (Ref # 43059A)	43059-1444	2
PIPE-BRAKE,LH (Ref # 43060)	43060-1080	1
PIPE-BRAKE,RH (Ref # 43060A)	43060-1081	1
WASHER,10.5X15X1.5 (Ref # 43067)	43067-001	6
LEVER-GRIP,FRONT BRAKE (Ref # 46092)	46092-1136	1
BOOT,DUST (Ref # 49006)	49006-1040	1
BOOT,RH (Ref # 49006A)	49006-1198	1
COVER-SEAL,MASTER CYLINDER (Ref # 49016)	49016-1044	1
BOLT,FRONT BRAKE LEVER (Ref # 92001)	92001-1728	1
BOLT (Ref # 92002)	92002-1860	2
BOLT,OIL,L=23 (Ref # 92002A)	92002-1888	3
SCREW,4MM (Ref # 92009)	92009-1458	2
NUT,FLANGED,6MM,BLACK (Ref # 92015)	92015-1233	1