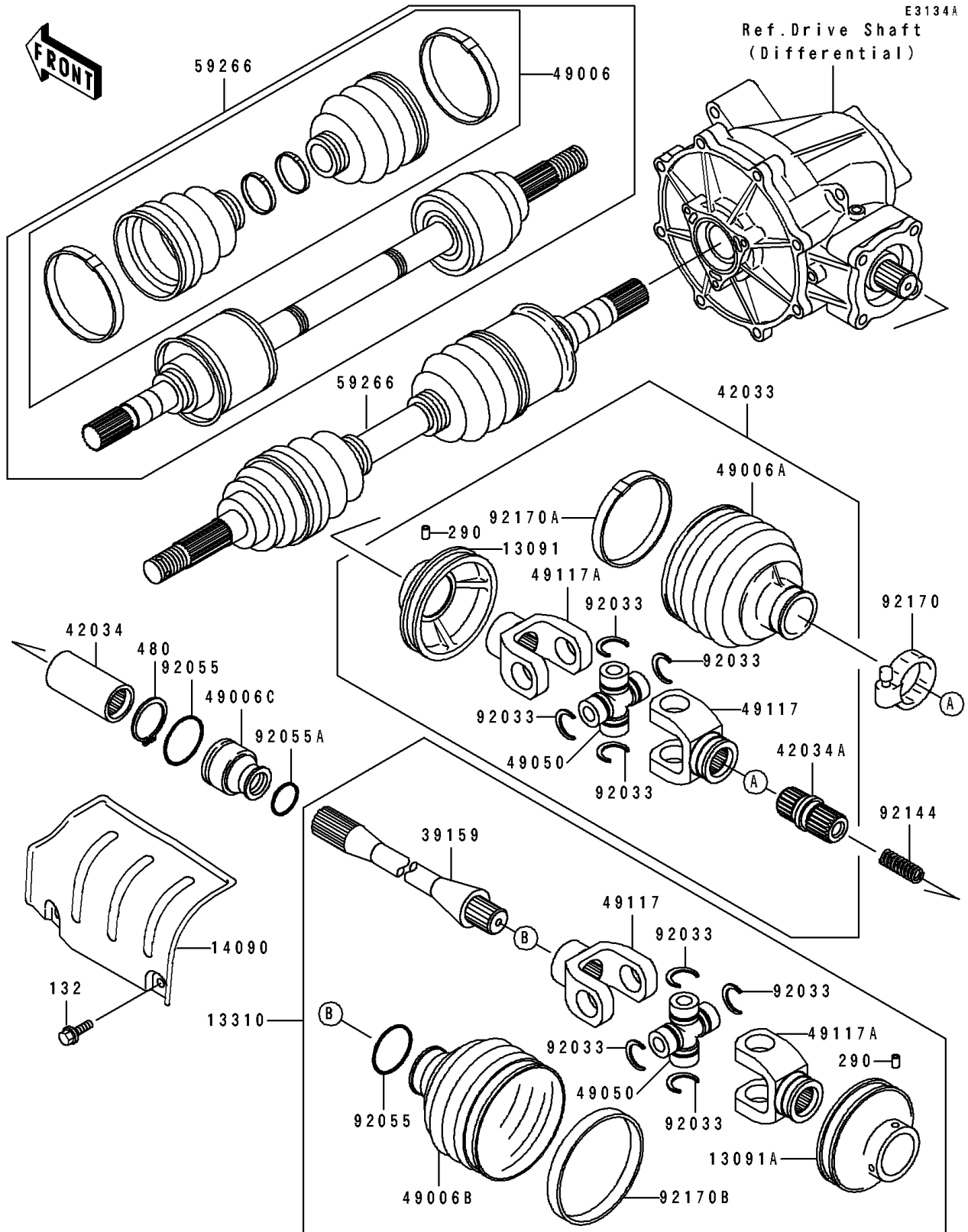


1995 Bayou 400 4X4 PARTS DIAGRAM

Drive Shaft(Front)(KLF400-B3)



1995 Bayou 400 4X4 PARTS LIST

Drive Shaft(Front)(KLF400-B3)

ITEM NAME	PART NUMBER	QUANTITY
-----------	-------------	----------