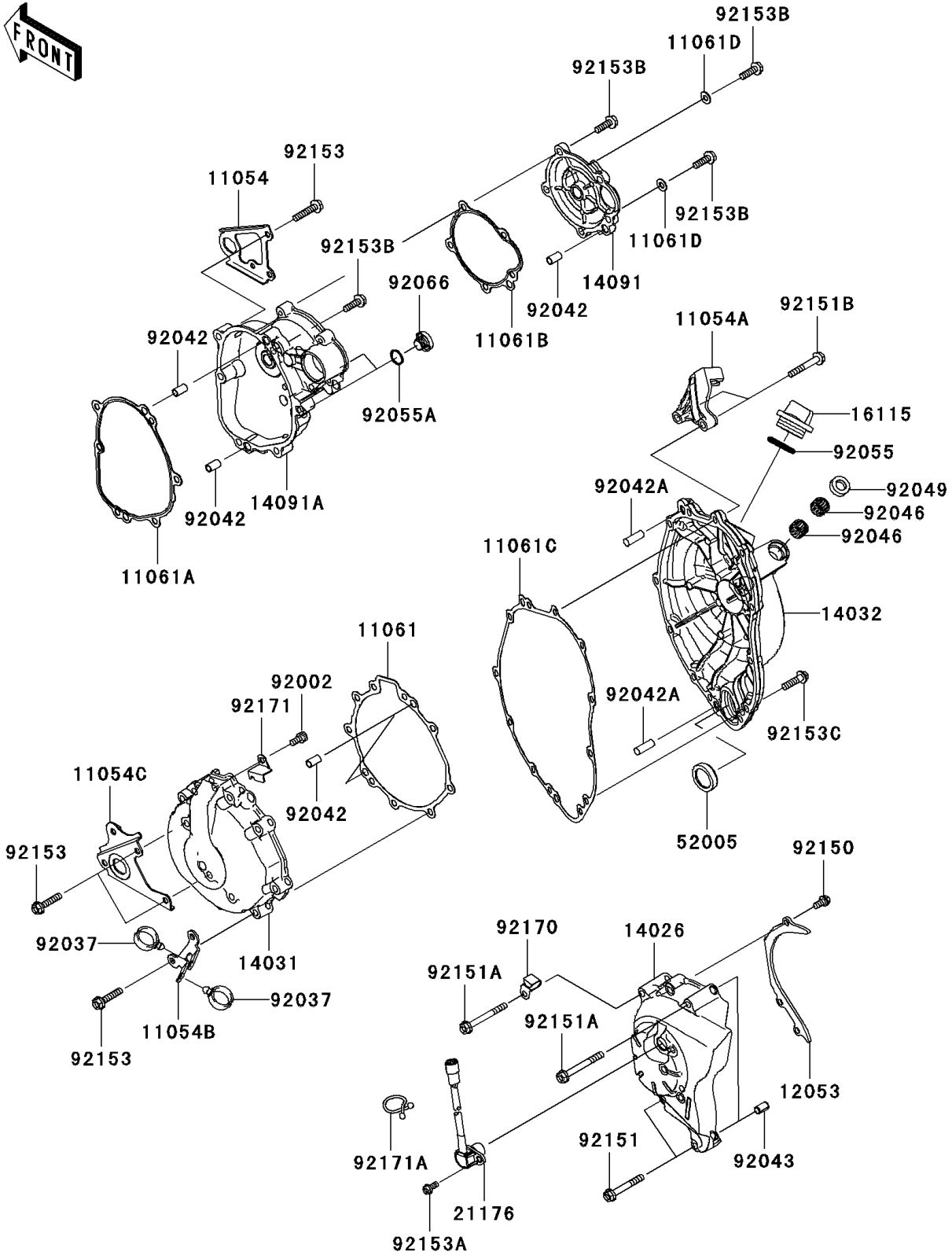


# 2008 Ninja® ZX™-6R PARTS DIAGRAM

Engine Cover(s)

E1431



## 2008 Ninja® ZX™-6R PARTS LIST

### Engine Cover(s)

ITEM NAME	PART NUMBER	QUANTITY
BRACKET,RH COWL (Ref # 11054)	11054-0579	1
BRACKET,CLUTCH CABLE HOLDER (Ref # 11054A)	11054-1212	1
BRACKET (Ref # 11054B)	11054-1643	1
BRACKET,LH COWL (Ref # 11054C)	11054-1973	1
GASKET,GENERATOR COVER (Ref # 11061)	11061-0249	1
GASKET,LARGE COVER (Ref # 11061A)	11061-0250	1
GASKET,SMALL COVER (Ref # 11061B)	11061-0251	1
GASKET,CLUTCH COVER (Ref # 11061C)	11061-0252	1
GASKET,6.2X13.5X1.0 (Ref # 11061D)	11061-0262	2
GUIDE-CHAIN (Ref # 12053)	12053-0109	1
COVER-CHAIN,F.S.BLACK (Ref # 14026)	14026-0040-11E	1
COVER-GENERATOR,F.S.BLACK (Ref # 14031)	14031-0082-11E	1
COVER-CLUTCH,F.S.BLACK (Ref # 14032)	14032-0088-11E	1
COVER,STARTER SMALL (Ref # 14091)	14091-0620	1
COVER,STARTER LARGE (Ref # 14091A)	14091-0802	1
CAP-OIL FILLER (Ref # 16115)	16115-1009	1
SENSOR,SPEED (Ref # 21176)	21176-0045	1
GAUGE (Ref # 52005)	52005-0024	1
BOLT,SOCKET,6X12 (Ref # 92002)	92002-1796	1
CLAMP,HOSE (Ref # 92037)	92037-1827	2
PIN,DOWEL,6.3X8X14 (Ref # 92042)	92042-007	5
PIN,DOWEL,8X22 (Ref # 92042A)	92042-044	2
PIN,6.2X8X14 (Ref # 92043)	92043-1263	2
BEARING-NEEDLE,HK1210 (Ref # 92046)	92046-1010	2
SEAL-OIL,CLUTCH RELEASE (Ref # 92049)	92049-1475	1
RING-O,31.7X2.4 (Ref # 92055)	92055-049	1
RING-O,ID=13.8 (Ref # 92055A)	92055-1141	2
PLUG,TIMING HOLE (Ref # 92066)	92066-0067	2
BOLT,FLANGED-SMALL,6X12 (Ref # 92150)	92150-1841	3

## 2008 Ninja® ZX™ -6R PARTS LIST

### Engine Cover(s)

ITEM NAME	PART NUMBER	QUANTITY
BOLT,FLANGED,6X45 (Ref # 92151)	92151-1521	2
BOLT,FLANGED,6X55 (Ref # 92151A)	92151-1540	2
BOLT,FLANGED,6X40 (Ref # 92151B)	92151-1583	2
BOLT-FLANGED,6X30 (Ref # 92153)	92153-1574	14
BOLT-FLANGED,5X12 (Ref # 92153A)	92153-1582	1
BOLT,FLANGED,6X20 (Ref # 92153B)	92153-1651	6
BOLT,FLANGED,6X25 (Ref # 92153C)	92153-1716	10
CLAMP (Ref # 92170)	92170-1577	1
CLAMP (Ref # 92171)	92171-0938	1
CLAMP (Ref # 92171A)	92171-1185	1