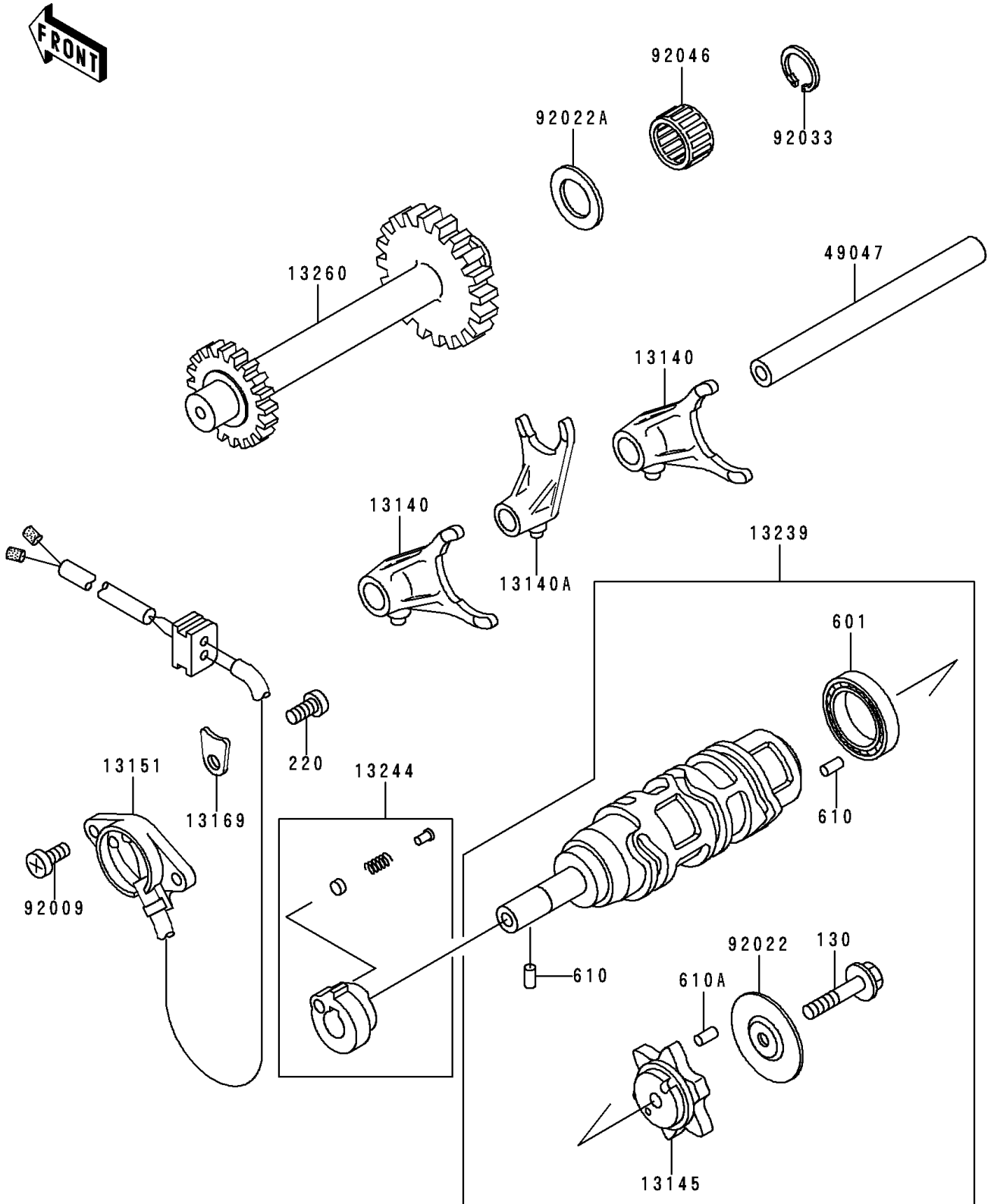


# 1998 Bayou 400 4X4 PARTS DIAGRAM

Gear Change Drum/Shift Fork(s)

E1362



## 1998 Bayou 400 4X4 PARTS LIST

### Gear Change Drum/Shift Fork(s)

| ITEM NAME                                | PART NUMBER | QUANTITY |
|--|-------------|----------|
| BOLT-FLANGED,6X35 (Ref # 130)            | 130G0635    | 1        |
| SCREW-PAN-CROS,6X10 (Ref # 220)          | 220B0610    | 1        |
| BEARING-BALL (Ref # 601)                 | 601A6005    | 1        |
| ROLLER,4X6 (Ref # 610)                   | 610A0406    | 2        |
| ROLLER,4X12 (Ref # 610A)                 | 610A0412    | 6        |
| FORK-SHIFT (Ref # 13140)                 | 13140-1210  | 2        |
| FORK-SHIFT (Ref # 13140A)                | 13140-1211  | 1        |
| CAM-CHANGE DRUM (Ref # 13145)            | 13145-1064  | 1        |
| SWITCH-COMP (Ref # 13151)                | 13151-1077  | 1        |
| PLATE,HARNESS (Ref # 13169)              | 13169-1788  | 1        |
| DRUM-ASSY-CHANGE (Ref # 13239)           | 13239-1170  | 1        |
| STOPPER-ASSY,REVERSE (Ref # 13244)       | 13244-1055  | 1        |
| GEAR,REVERSE,22T&30T (Ref # 13260)       | 13260-1220  | 1        |
| ROD-SHIFT (Ref # 49047)                  | 49047-1085  | 1        |
| SCREW,5X14 (Ref # 92009)                 | 92009-1341  | 2        |
| WASHER,CHANGE DRUM (Ref # 92022)         | 92022-1886  | 1        |
| WASHER,17.3X28X1 (Ref # 92022A)          | 92022-255   | 1        |
| RING-SNAP (Ref # 92033)                  | 92033-032   | 1        |
| BEARING-NEEDLE,K17X23X13.8 (Ref # 92046) | 92046-1184  | 1        |