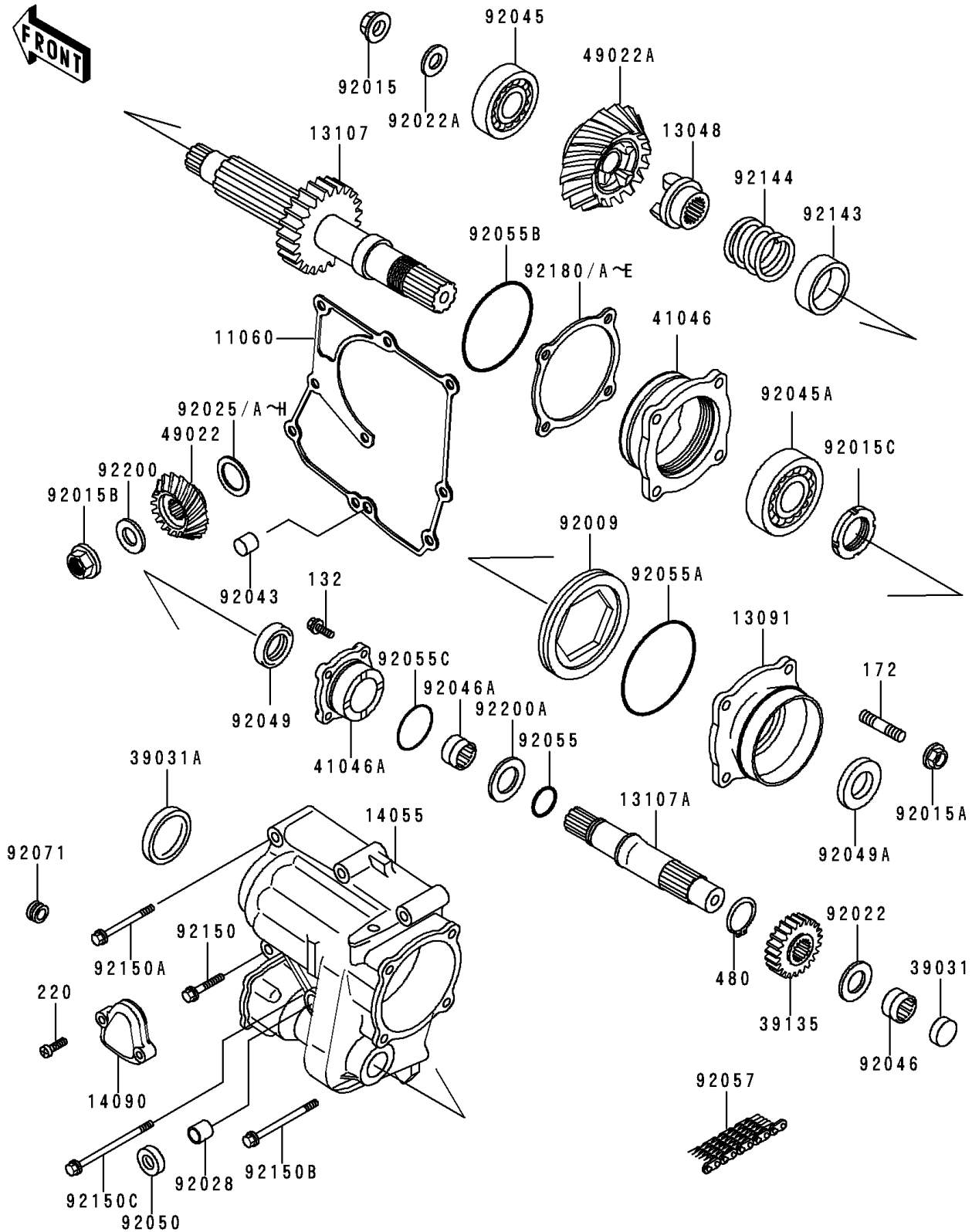


1997 Bayou 400 4X4 (Canada Only) PARTS DIAGRAM

Front Bevel Gear

E3131



1997 Bayou 400 4X4 (Canada Only) PARTS LIST

Front Bevel Gear

ITEM NAME	PART NUMBER	QUANTITY
GASKET,GEAR CASE (Ref # 11060)	11060-1708	1
CAM-DAMPER (Ref # 13048)	13048-1078	1
HOLDER,GEAR CASE (Ref # 13091)	13091-1764	1
SHAFT,FRONT BEVEL,23T (Ref # 13107)	13107-1323	1
SHAFT,FRONT BEVEL (Ref # 13107A)	13107-1332	1
CASE-GEAR,FRONT BEVEL (Ref # 14055)	14055-1122	1
COVER (Ref # 14090)	14090-1135	1
CAP-END (Ref # 39031)	39031-1061	1
CAP-END (Ref # 39031A)	39031-1062	1
SPROCKET-DRIVEN,23T (Ref # 39135)	39135-1054	1
HOUSING-BEARING (Ref # 41046)	41046-1094	1
HOUSING-BEARING (Ref # 41046A)	41046-1095	1
GEAR-BEVEL (Ref # 49022)	49022-1126	1
GEAR-BEVEL (Ref # 49022A)	49022-1127	1
SCREW (Ref # 92009)	92009-1667	1
NUT,FLANGED,14MM (Ref # 92015)	92015-1341	1
NUT,8MM (Ref # 92015A)	92015-1402	4
NUT (Ref # 92015B)	92015-1581	1
NUT,30MM (Ref # 92015C)	92015-1858	1
WASHER,20.3X36X1.5 (Ref # 92022)	92022-1489	1
WASHER,14.2X28X2.6 (Ref # 92022A)	92022-1688	1
SHIM,25.3X36X0.15 (Ref # 92025)	92025-1688	AR
SHIM,25.3X36X0.50 (Ref # 92025A)	92025-1689	AR
SHIM,25.3X36X0.60 (Ref # 92025B)	92025-1690	AR
SHIM,25.3X36X0.70 (Ref # 92025C)	92025-1691	AR
SHIM,25.3X36X0.80 (Ref # 92025D)	92025-1692	AR
SHIM,25.3X36X0.90 (Ref # 92025E)	92025-1693	AR
SHIM,25.3X36X1.00 (Ref # 92025F)	92025-1694	AR
SHIM,25.3X36X1.10 (Ref # 92025G)	92025-1695	AR

1997 Bayou 400 4X4 (Canada Only) PARTS LIST

Front Bevel Gear

ITEM NAME	PART NUMBER	QUANTITY
SHIM,25.3X36X1.20 (Ref # 92025H)	92025-1696	AR
BUSHING (Ref # 92028)	92028-1347	1
PIN,DOWEL,10X14 (Ref # 92043)	92043-1037	1
BEARING-BALL,6206CM (Ref # 92045)	92045-1155	1
BEARING-BALL,6306SH2 (Ref # 92045A)	92045-1190	1
BEARING-NEEDLE,NK20/20RE (Ref # 92046)	92046-1211	1
BEARING-NEEDLE,NK24/20RE (Ref # 92046A)	92046-1212	1
SEAL-OIL,AE1252E0 (Ref # 92049)	92049-1395	1
SEAL-OIL,AE1265E0 (Ref # 92049A)	92049-1400	1
SEAL-OIL (Ref # 92050)	92050-082	2
RING-O,19.5X1.5 (Ref # 92055)	92055-055	1
BOLT-FLANGED-SMALL (Ref # 132)	132V0620	4
BOLT-STUD,8X25 (Ref # 172)	172G0825	4
SCREW-PAN-CROS,6X20,BLACK (Ref # 220)	220C0620	2
CIRCLIP-TYPE-C,25MM (Ref # 480)	480J2500	1
RING-O (Ref # 92055A)	92055-081	1
RING-O,79.5MM (Ref # 92055B)	92055-1230	1
RING-O,43.7X1.9 (Ref # 92055C)	92055-1401	1
CHAIN,BEVEL,63HV303-42AS (Ref # 92057)	92057-1351	1
GROMMET (Ref # 92071)	92071-1203	1
COLLAR,24.2X33X12 (Ref # 92143)	92143-1657	1
SPRING,BEVEL (Ref # 92144)	92144-1599	1
BOLT,8X35 (Ref # 92150)	92150-1585	2
BOLT,8X60 (Ref # 92150A)	92150-1586	3
BOLT,8X75 (Ref # 92150B)	92150-1587	3
BOLT,8X90 (Ref # 92150C)	92150-1588	1
SHIM,T=1.00 (Ref # 92180)	92180-1126	AR
SHIM,T=0.10 (Ref # 92180A)	92180-1127	AR
SHIM,T=0.15 (Ref # 92180B)	92180-1128	AR

1997 Bayou 400 4X4 (Canada Only) PARTS LIST

Front Bevel Gear

ITEM NAME	PART NUMBER	QUANTITY
SHIM,T=0.50 (Ref # 92180C)	92180-1129	AR
SHIM,T=0.80 (Ref # 92180D)	92180-1130	AR
SHIM,T=1.20 (Ref # 92180E)	92180-1131	AR
WASHER,16.3X31X3.2 (Ref # 92200)	92200-1104	1
WASHER,24.2X40X2.0 (Ref # 92200A)	92200-1118	1