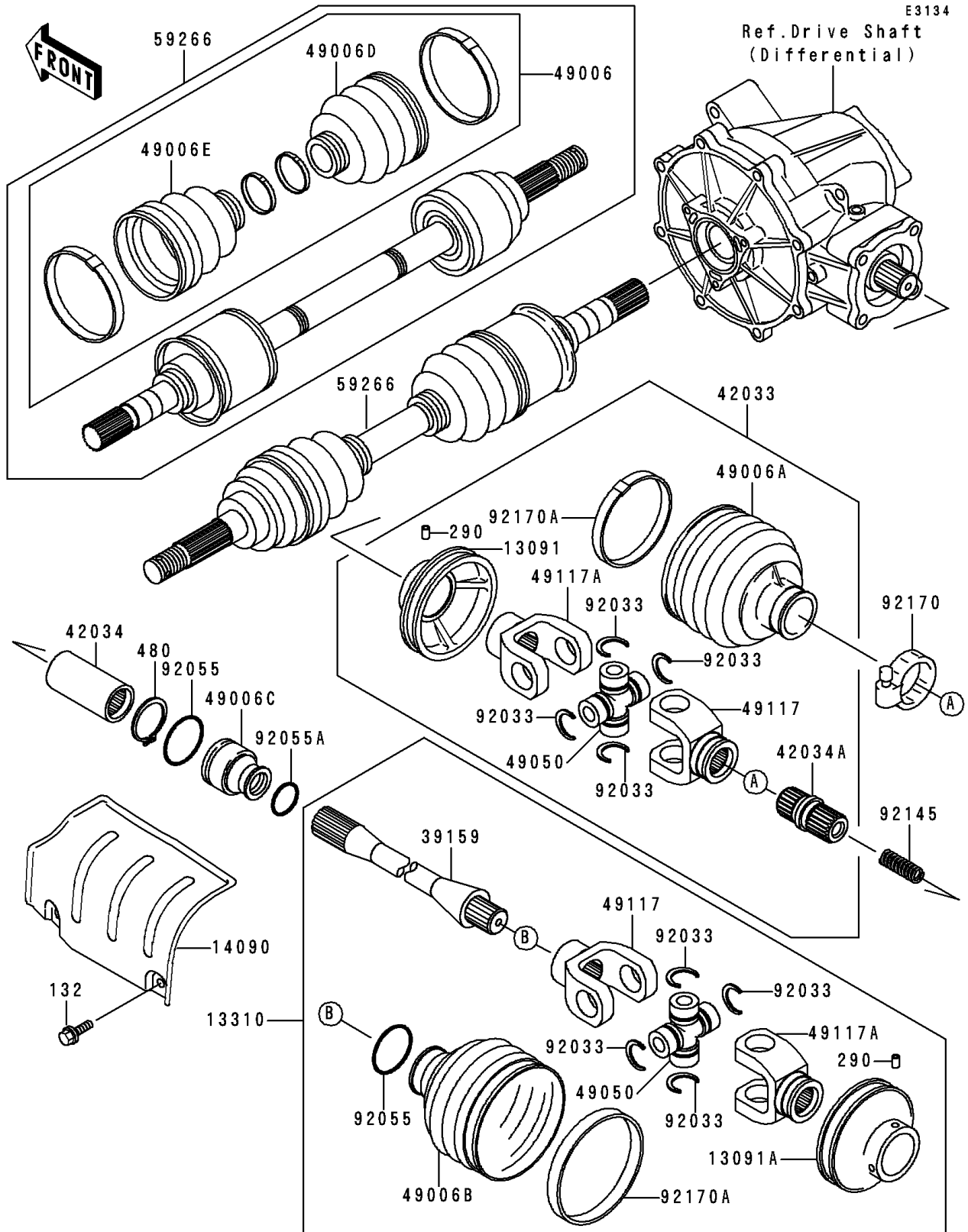


# 1999 Bayou 400 4X4 PARTS DIAGRAM

Drive Shaft(Front)



# 1999 Bayou 400 4X4 PARTS LIST

## Drive Shaft(Front)

ITEM NAME	PART NUMBER	QUANTITY
BOLT-FLANGED-SMALL (Ref # 132)	132J0612	2
SCREW-SET-SOCKET (Ref # 290)	290Q0508	4
CIRCLIP-TYPE-C,22MM (Ref # 480)	480J2200	1
HOLDER (Ref # 13091)	13091-1863	1
HOLDER (Ref # 13091A)	13091-1892	1
SHAFT-ASSY,DRIVE (Ref # 13310)	13310-1018	1
COVER (Ref # 14090)	14090-1515	1
SHAFT-DRIVE (Ref # 39159)	39159-1080	1
COUPLING-ASSY (Ref # 42033)	42033-1188	1
COUPLING (Ref # 42034)	42034-1103	1
COUPLING (Ref # 42034A)	42034-1127	1
BOOT,DRIVE SHAFT (Ref # 49006)	49006-1252	2
BOOT,COUPLING (Ref # 49006A)	49006-1293	1
BOOT,DRIVE SHAFT (Ref # 49006B)	49006-1294	1
BOOT,DRIVE SHAFT (Ref # 49006C)	49006-1295	1
BOOT,JOINT BALL,OUTSIDE (Ref # 49006D)	49006-1318	2
BOOT,JOINT BALL,INSIDE (Ref # 49006E)	49006-1320	2
SPIDER (Ref # 49050)	49050-1057	2
YOKE,DRIVE (Ref # 49117)	49117-1083	2
YOKE,DRIVE (Ref # 49117A)	49117-1084	2
JOINT-BALL (Ref # 59266)	59266-1103	2
RING-SNAP (Ref # 92033)	92033-1283	8
RING-O,19.5X3.0 (Ref # 92055)	92055-1451	2
RING-O,15X3.0 (Ref # 92055A)	92055-1531	1
SPRING (Ref # 92145)	92145-1055	1
CLAMP (Ref # 92170)	92170-1678	1
CLAMP (Ref # 92170A)	92170-1727	2