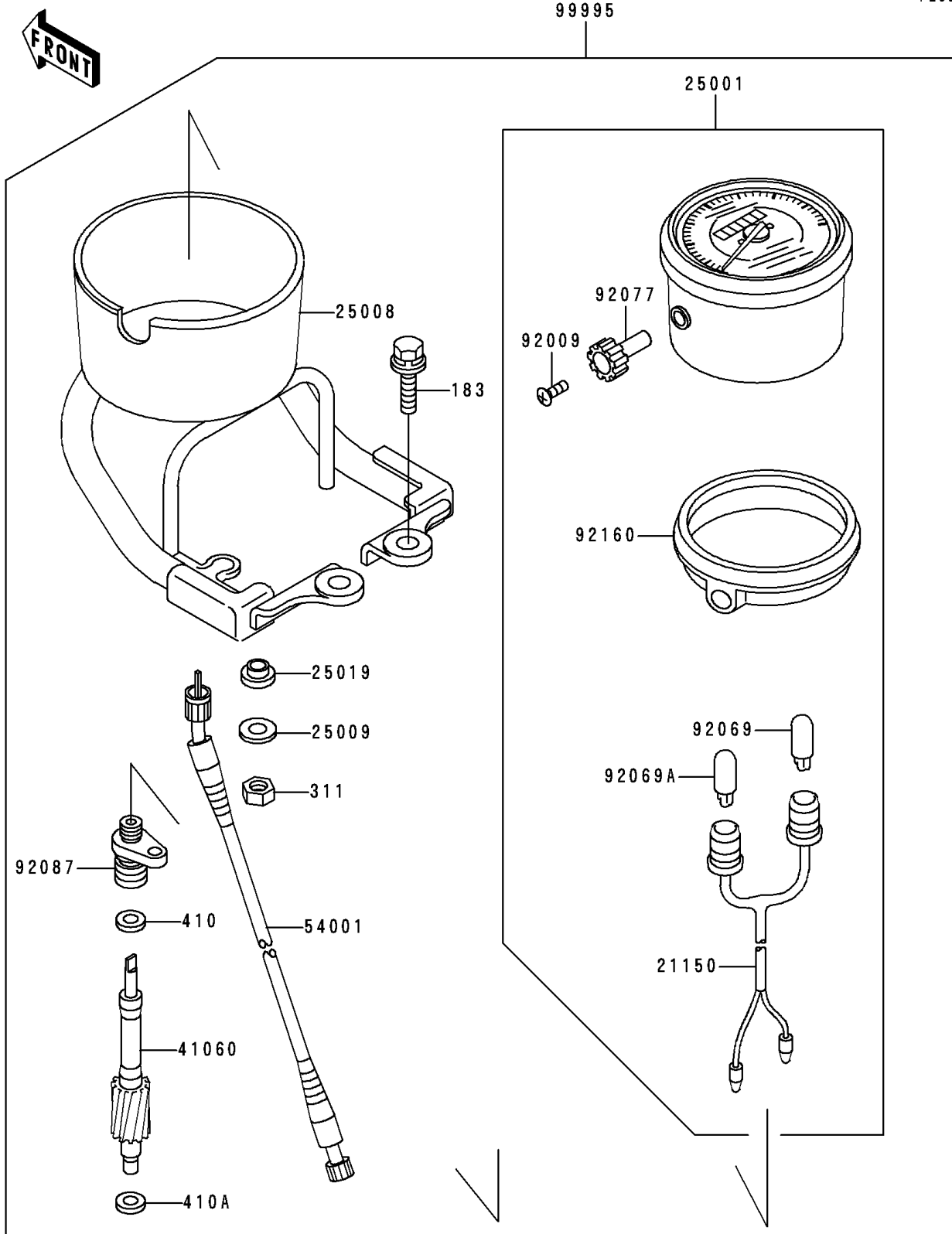


1999 Bayou 400 4X4 PARTS DIAGRAM

Optional Parts(Meter)

F2890



1999 Bayou 400 4X4 PARTS LIST

Optional Parts(Meter)

ITEM NAME	PART NUMBER	QUANTITY
BOLT-UPSET-WS-SMALL (Ref # 183)	183J0814	2
CORD-ASSY,SPEEDOMETER (Ref # 21150)	21150-1056	1
METER-ASSY,SPEED,MPH (Ref # 25001)	25001-1895	1
BRACKET-METER (Ref # 25008)	25008-1191	1
WASHER,5.2X16X1.2 (Ref # 25009)	25009-004	2
DAMPER,METER (Ref # 25019)	25019-023	2
GEAR-METER SCREW (Ref # 41060)	41060-1126	1
CABLE-SPEEDMETER (Ref # 54001)	54001-1211	1
SCREW,2X6,BLACK (Ref # 92009)	92009-1172	1
BULB,12V 1.7W (Ref # 92069)	92069-1059	1
BULB,12V 1.7W (Ref # 92069A)	92069-1070	1
KNOB,METER (Ref # 92077)	92077-1073	1
BUSHING-METER GEAR (Ref # 92087)	92087-1057	1
DAMPER,SPEEDOMETER (Ref # 92160)	92160-1064	1
KIT.,SPEEDOMETER,MPH (Ref # 99995)	99995-1340	1
NUT-HEX (Ref # 311)	311C0500	2
WASHER-PLAIN-SMALL,5MM (Ref # 410)	410B0500	1
WASHER-PLAIN-SMALL,6MM (Ref # 410A)	410B0600	1