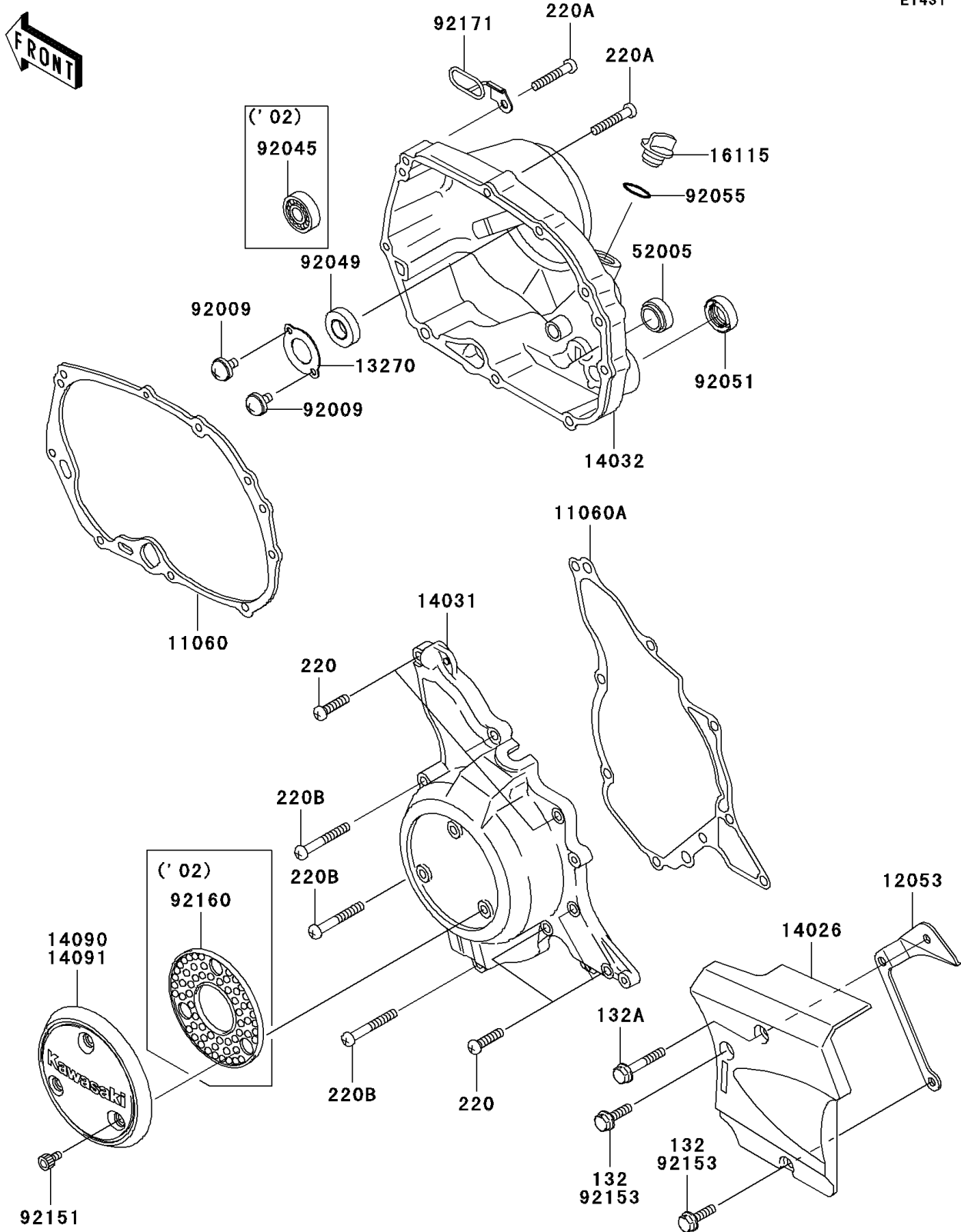


# 2002 KLX110 PARTS DIAGRAM

Engine Cover(s)

E1431



## 2002 KLX110 PARTS LIST

### Engine Cover(s)

ITEM NAME	PART NUMBER	QUANTITY
BOLT-FLANGED-SMALL (Ref # 132)	132Y0620	2
BOLT-FLANGED-SMALL (Ref # 132A)	132Y0635	1
SCREW-PAN-CROS (Ref # 220)	220X0625	6
SCREW-PAN-CROS (Ref # 220A)	220X0635	9
SCREW-PAN-CROS (Ref # 220B)	220X0645	3
GASKET,CLUTCH (Ref # 11060)	11060-1797	1
GASKET,GENERATOR (Ref # 11060A)	11060-1798	1
GUIDE-CHAIN,TENSION (Ref # 12053)	12053-1467	1
PLATE (Ref # 13270)	13270-1800	1
COVER-CHAIN (Ref # 14026)	14026-1285	1
COVER-GENERATOR (Ref # 14031)	14031-1342	1
COVER-CLUTCH (Ref # 14032)	14032-1529-10	1
COVER (Ref # 14090)	14090-1834	1
CAP-OIL FILLER (Ref # 16115)	16115-1068	1
GAUGE,OIL LEVEL (Ref # 52005)	52005-1055	1
SCREW (Ref # 92009)	92009-1745	2
BEARING-BALL (Ref # 92045)	92045-1358	1
SEAL-OIL,TB16267 (Ref # 92051)	92051-003	1
RING-O,31.7X2.4 (Ref # 92055)	92055-049	1
BOLT,SOCKET,5X10 (Ref # 92151)	92151-1212	3
DAMPER (Ref # 92160)	92160-1491	1
CLAMP,DRAIN TUBE (Ref # 92171)	92171-1124	1