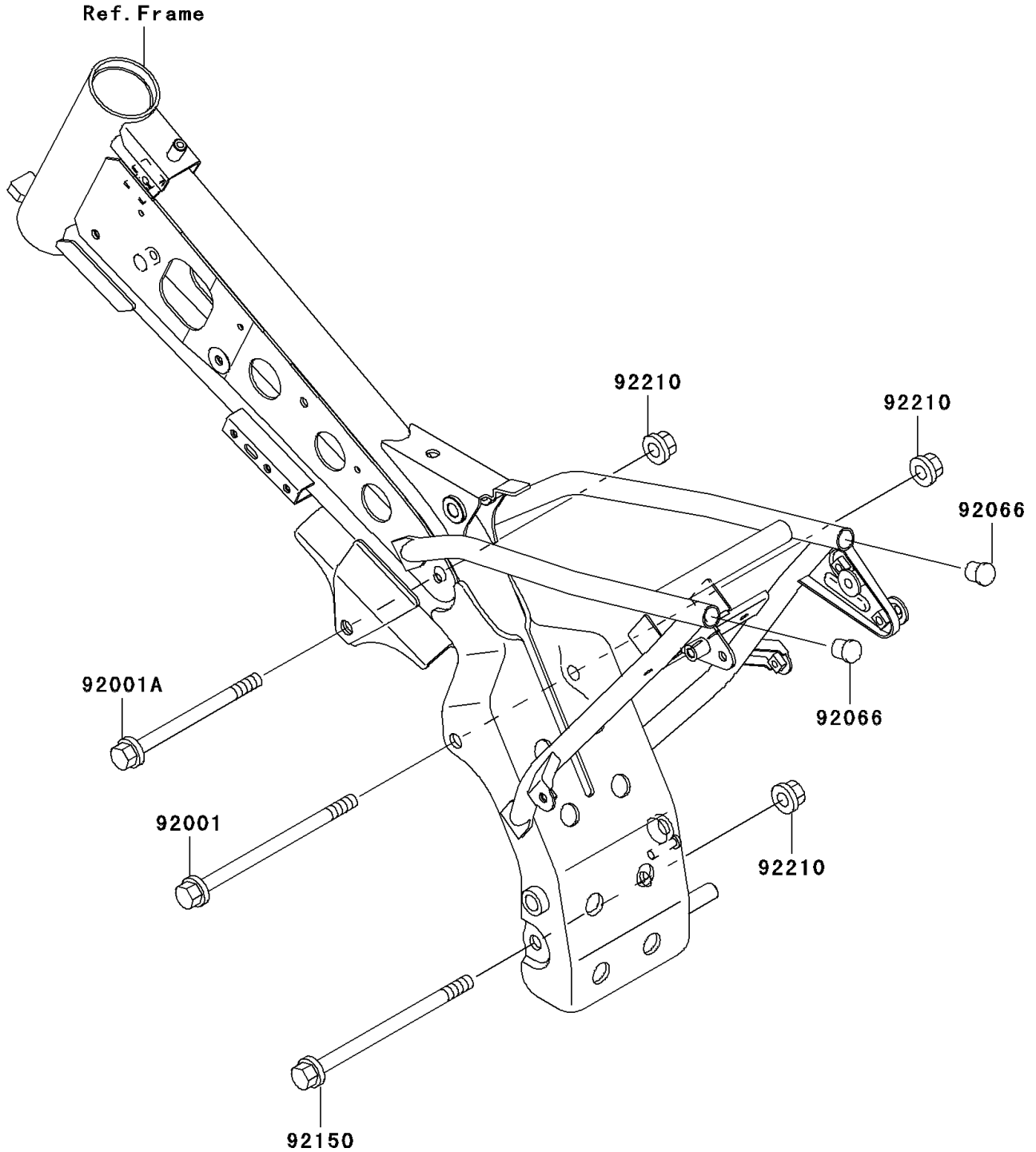


2004 KLX110 PARTS DIAGRAM

Engine Mount

F2122



2004 KLX110 PARTS LIST

Engine Mount

| ITEM NAME | PART NUMBER | QUANTITY |
|--|-------------|----------|
| BOLT,FLANGED,10X125 (Ref # 92001) | 92001-1720 | 1 |
| BOLT,FLANGED,10X105,BLACK (Ref # 92001A) | 92001-1751 | 1 |
| PLUG,HEAD LAMP (Ref # 92066) | 92066-1081 | 2 |
| BOLT,FLANGED,10X120 (Ref # 92150) | 92150-1831 | 1 |
| NUT,LOCK,FLANGED,10MM (Ref # 92210) | 92210-1081 | 3 |