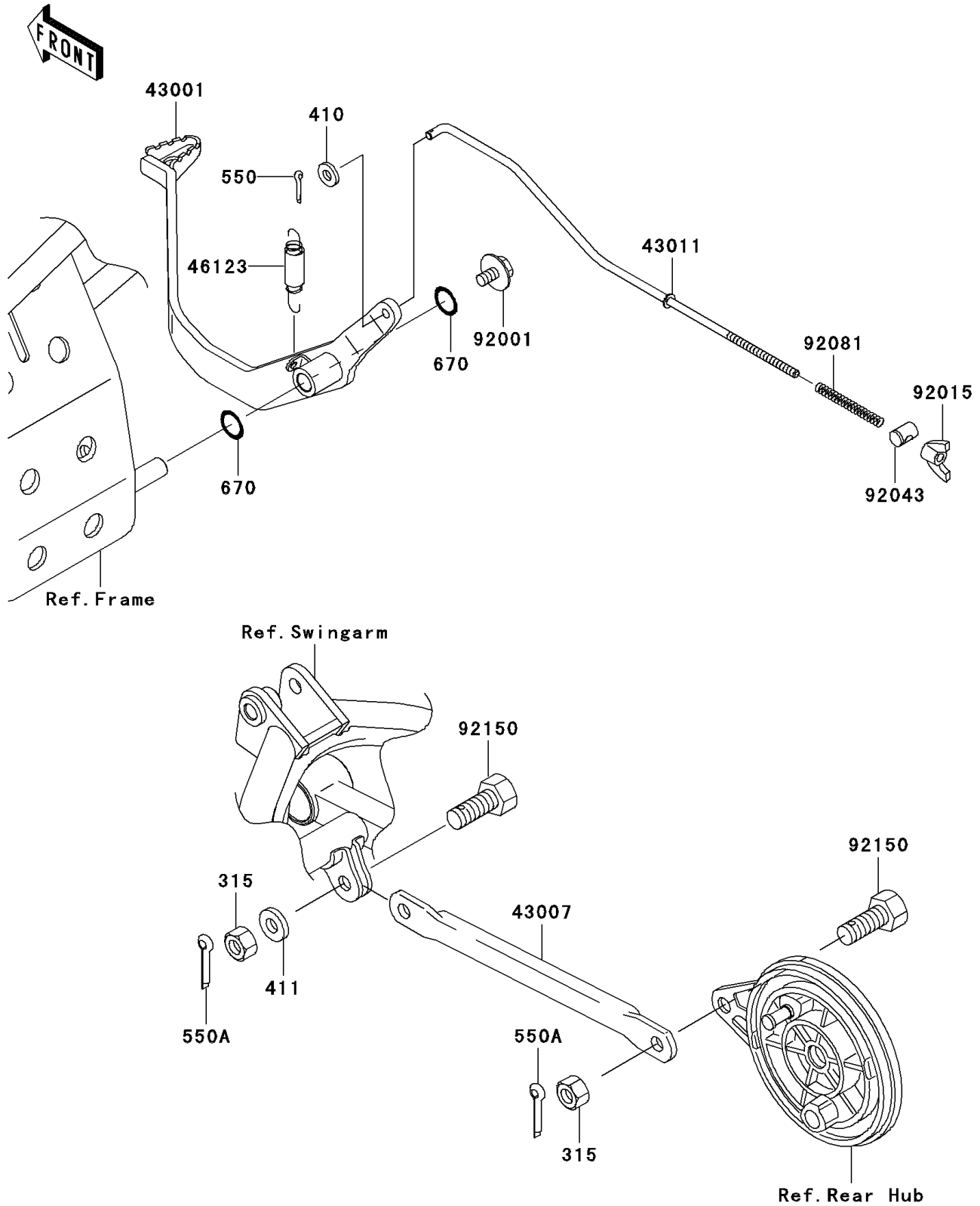


2004 KLX110 PARTS DIAGRAM

Brake Pedal

F2260



2004 KLX110 PARTS LIST

Brake Pedal

| ITEM NAME | PART NUMBER | QUANTITY |
|--|-------------|----------|
| NUT-HEX-FINE,10MM (Ref # 315) | 315G1000 | 2 |
| WASHER-PLAIN-SMALL,6MM (Ref # 410) | 410B0600 | 1 |
| WASHER-PLAIN,10MM (Ref # 411) | 411B1000 | 1 |
| PIN-COTTER,2.0X15 (Ref # 550) | 550D2015 | 1 |
| PIN-COTTER,2.0X20 (Ref # 550A) | 550D2020 | 2 |
| O RING,12MM (Ref # 670) | 670B2012 | 2 |
| LEVER-BRAKE,PEDAL (Ref # 43001) | 43001-1445 | 1 |
| ROD-TORQUE (Ref # 43007) | 43007-1203 | 1 |
| ROD-BRAKE (Ref # 43011) | 43011-1186 | 1 |
| SPRING-COMP,BRAKE PEDAL RETURN (Ref # 46123) | 46123-1060 | 1 |
| BOLT,FLANGED,6X10 (Ref # 92001) | 92001-1034 | 1 |
| NUT,WING,6MM (Ref # 92015) | 92015-4004 | 1 |
| PIN,BRAKE ROD (Ref # 92043) | 92043-039 | 1 |
| SPRING,BRAKE ROD (Ref # 92081) | 92081-1688 | 1 |
| BOLT,10X25 (Ref # 92150) | 92150-1873 | 2 |