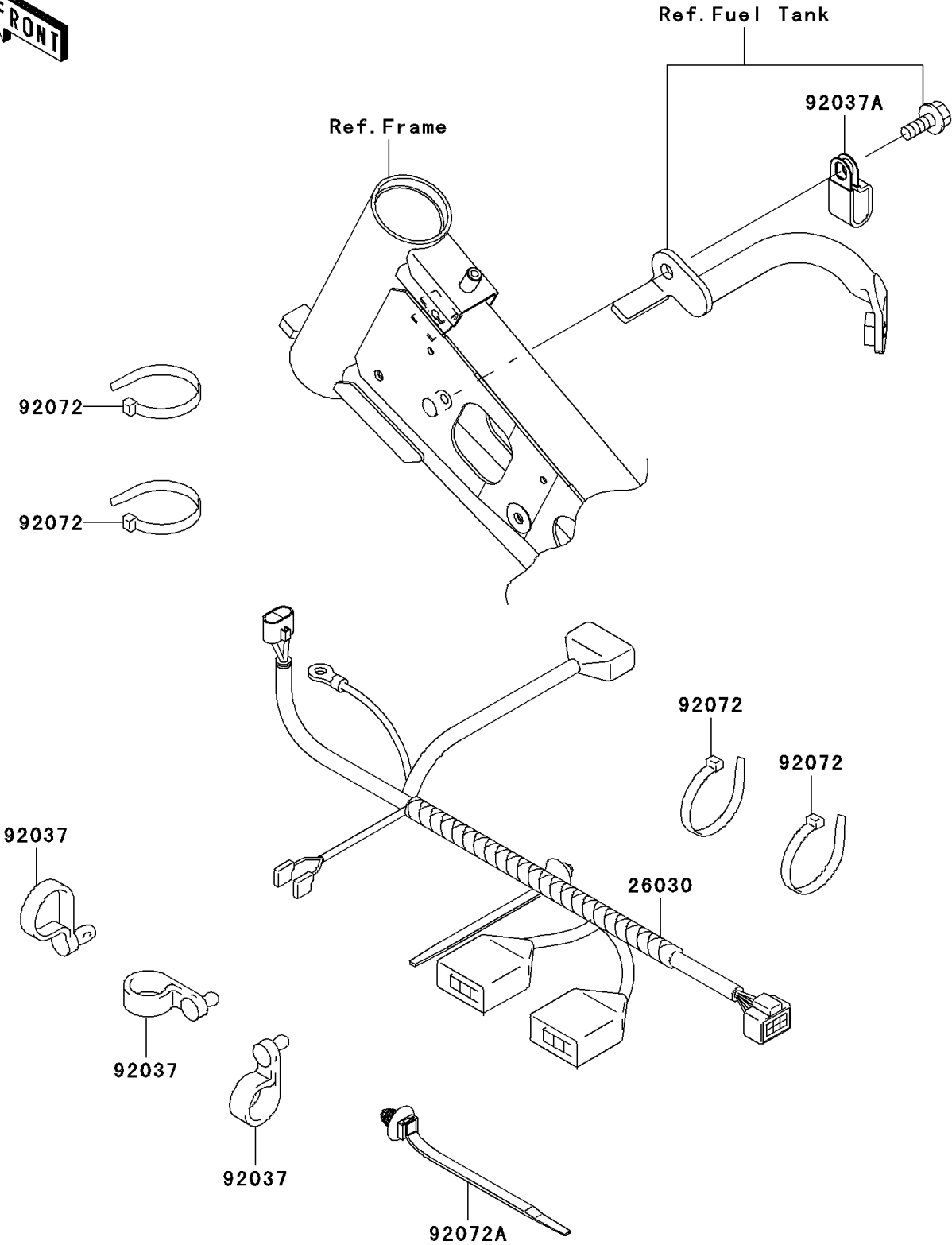


2004 KLX110 PARTS DIAGRAM

Chassis Electrical Equipment

F2760



2004 KLX110 PARTS LIST

Chassis Electrical Equipment

ITEM NAME	PART NUMBER	QUANTITY
HARNESS,MAIN (Ref # 26030)	26030-1931	1
CLAMP,SPEED,L=58 (Ref # 92037)	92037-1163	3
CLAMP (Ref # 92037A)	92037-1608	1
BAND,L=140 (Ref # 92072)	92072-1293	4
BAND (Ref # 92072A)	92072-1414	1