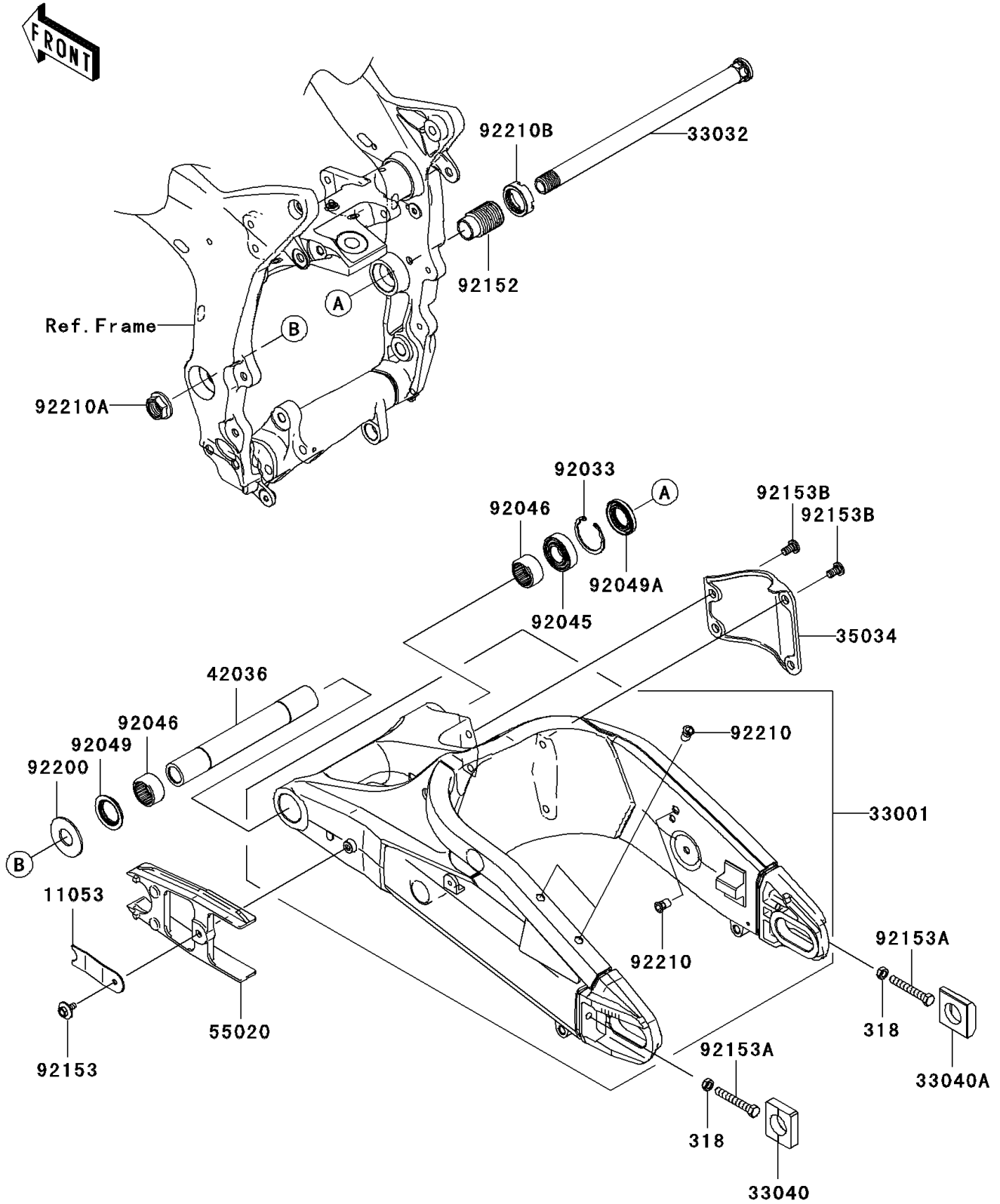


2008 Ninja® ZX™-6R PARTS DIAGRAM

Swingarm

F2141



2008 Ninja® ZX™-6R PARTS LIST

Swingarm

| ITEM NAME | PART NUMBER | QUANTITY |
|--|----------------|----------|
| NUT-HEX-SMALL,8MM (Ref # 318) | 318BA0800 | 2 |
| BRACKET,CHAIN GUARD (Ref # 11053) | 11053-1691 | 1 |
| ARM-COMP-SWING,BLACK (Ref # 33001) | 33001-0126-18R | 1 |
| SHAFT-SWING ARM (Ref # 33032) | 33032-0010 | 1 |
| ADJUSTER-CHAIN,LH (Ref # 33040) | 33040-1114 | 1 |
| ADJUSTER-CHAIN,RH (Ref # 33040A) | 33040-1180 | 1 |
| REINFORCE,MUFFLER GUARD,BLACK (Ref # 35034) | 35034-0053-18R | 1 |
| SLEEVE,SWING ARM,L=213 (Ref # 42036) | 42036-1283 | 1 |
| GUARD,CHAIN (Ref # 55020) | 55020-0111 | 1 |
| RING-SNAP,42MM (Ref # 92033) | 92033-1041 | 1 |
| BEARING-BALL,6004UL11 (Ref # 92045) | 92045-0017 | 1 |
| BEARING-NEEDLE,7E-HVS 28X34X17 (Ref # 92046) | 92046-0008 | 2 |
| SEAL-OIL (Ref # 92049) | 92049-1181 | 1 |
| SEAL-OIL,MHSA25 42 6 (Ref # 92049A) | 92049-1314 | 1 |
| COLLAR,SWING ARM,L=47 (Ref # 92152) | 92152-0154 | 1 |
| BOLT,6X16 (Ref # 92153) | 92153-1003 | 1 |
| BOLT,8X55 (Ref # 92153A) | 92153-1407 | 2 |
| BOLT,SOCKET,8X15 (Ref # 92153B) | 92153-1548 | 4 |
| WASHER,20.3X48X2.3 (Ref # 92200) | 92200-1167 | 1 |
| NUT,6MM (Ref # 92210) | 92210-0099 | 3 |
| NUT,FLANGED,20MM (Ref # 92210A) | 92210-0106 | 1 |
| NUT,30MM (Ref # 92210B) | 92210-0134 | 1 |