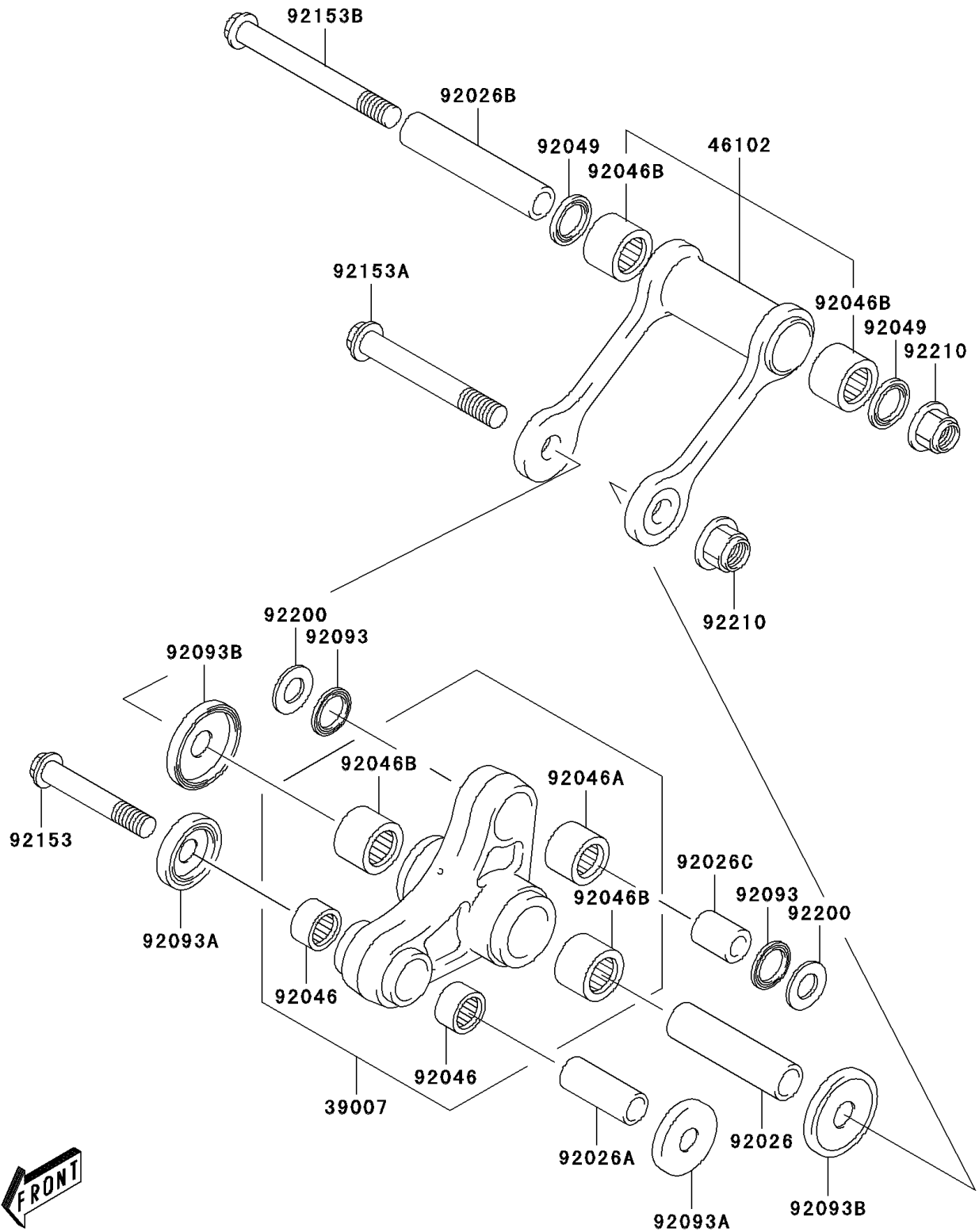


# 2003 KLX125 PARTS DIAGRAM

## Rear Suspension

F2150



## 2003 KLX125 PARTS LIST

### Rear Suspension

| ITEM NAME                               | PART NUMBER | QUANTITY |
|---|-------------|----------|
| ARM-SUSP,REAR CUSHION (Ref # 39007)     | 39007-S002  | 1        |
| ROD,REAR CUSHION (Ref # 46102)          | 46102-S001  | 1        |
| SPACER,REAR CUSHION (Ref # 92026)       | 92026-S040  | 1        |
| SPACER,REAR CUSHION (Ref # 92026A)      | 92026-S044  | 1        |
| SPACER,REAR CUSHION ROD (Ref # 92026B)  | 92026-S045  | 1        |
| SPACER,REAR CUSHION (Ref # 92026C)      | 92026-S046  | 2        |
| BEARING-NEEDLE,14X20X12 (Ref # 92046)   | 92046-S008  | 2        |
| BEARING-NEEDLE,16X22X12 (Ref # 92046A)  | 92046-S009  | 1        |
| BEARING-NEEDLE,17X24X20 (Ref # 92046B)  | 92046-S010  | 4        |
| SEAL-OIL,REAR CUSHION ROD (Ref # 92049) | 92049-S024  | 2        |
| SEAL,REAR CUSHION (Ref # 92093)         | 92093-S010  | 2        |
| SEAL,REAR CUSHION (Ref # 92093A)        | 92093-S013  | 2        |
| SEAL,REAR CUSHION (Ref # 92093B)        | 92093-S014  | 2        |
| BOLT,10X64 (Ref # 92153)                | 92153-S163  | 1        |
| BOLT,REAR CUSHION (Ref # 92153A)        | 92153-S180  | 1        |
| BOLT,REAR CUSHION (Ref # 92153B)        | 92153-S181  | 1        |
| WASHER (Ref # 92200)                    | 92200-S081  | 2        |
| NUT (Ref # 92210)                       | 92210-S007  | 2        |