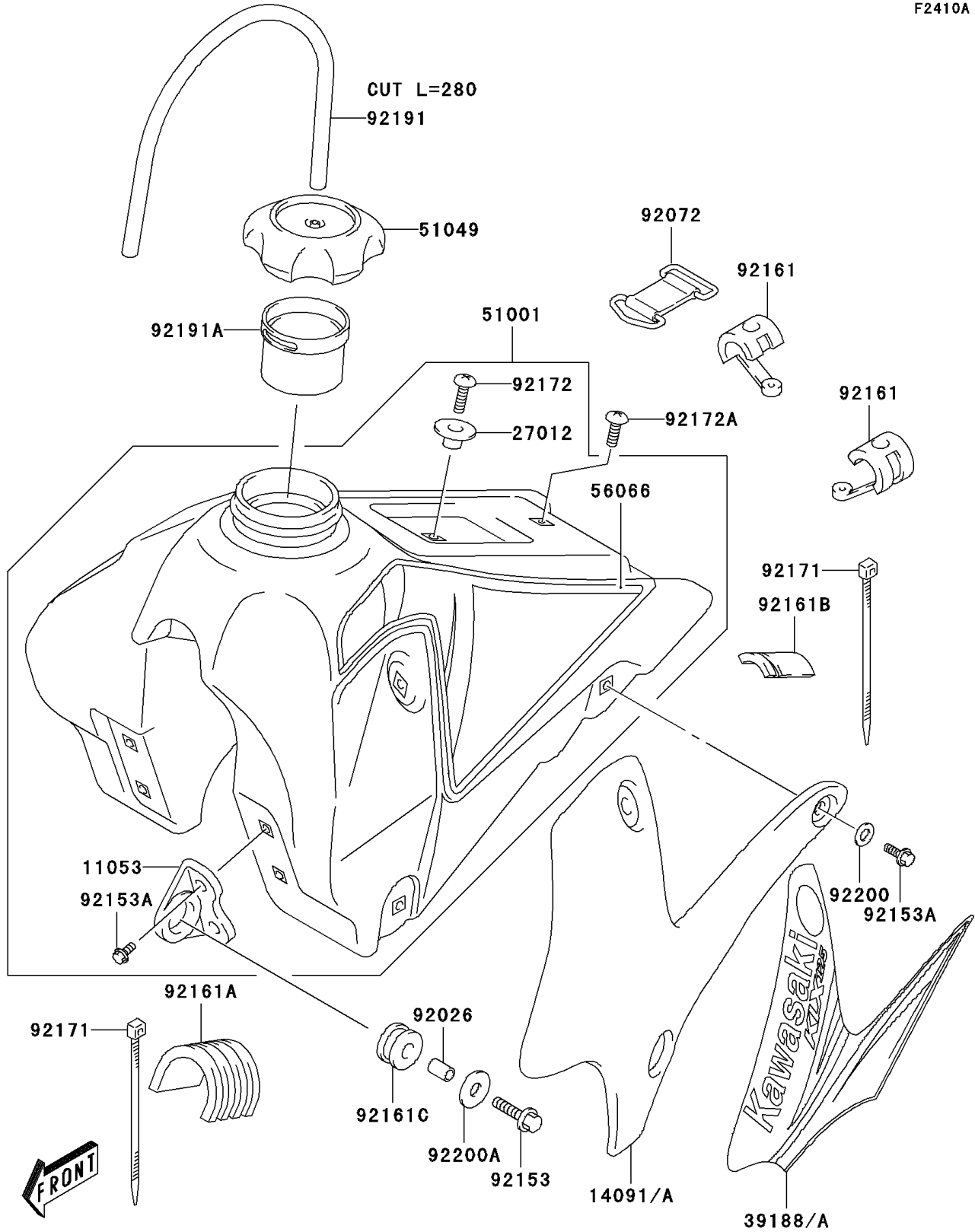


2004 KLX125L PARTS DIAGRAM

Fuel Tank(B2)

F2410A



2004 KLX125L PARTS LIST

Fuel Tank(B2)

| ITEM NAME | PART NUMBER | QUANTITY |
|---|----------------|----------|
| BRACKET,FUEL TANK,FR (Ref # 11053) | 11053-S001 | 2 |
| COVER,FUEL TANK,RH,L.GREEN (Ref # 14091) | 14091-S062-535 | 1 |
| COVER,FUEL TANK,LH,L.GREEN (Ref # 14091A) | 14091-S063-535 | 1 |
| HOOK,SEAT FRONT (Ref # 27012) | 27012-S003 | 1 |
| TAPE,FUEL TANK COVER,RH (Ref # 39188) | 39188-S006-553 | 1 |
| TAPE,FUEL TANK COVER,LH (Ref # 39188A) | 39188-S007-553 | 1 |
| TANK-COMP-FUEL,BLACK (Ref # 51001) | 51001-S018-539 | 1 |
| CAP-TANK (Ref # 51049) | 51049-S004 | 1 |
| PATTERN,TAPE SET,FUEL TANK (Ref # 56066) | 56066-S027-568 | 1 |
| SPACER,FUEL TANK,FR (Ref # 92026) | 92026-S049 | 2 |
| BAND,FUEL TANK,RR (Ref # 92072) | 92072-S004 | 1 |
| BOLT (Ref # 92153) | 92153-S003 | 2 |
| BOLT (Ref # 92153A) | 92153-S144 | 10 |
| DAMPER,FUEL TANK (Ref # 92161) | 92161-S062 | 2 |
| DAMPER,FUEL TANK (Ref # 92161A) | 92161-S063 | 1 |
| DAMPER,FUEL TANK (Ref # 92161B) | 92161-S064 | 1 |
| DAMPER,FUEL TANK (Ref # 92161C) | 92161-S065 | 2 |
| CLAMP,FUEL TANK CUSHION (Ref # 92171) | 92171-S056 | 2 |
| SCREW (Ref # 92172) | 92172-S019 | 1 |
| SCREW (Ref # 92172A) | 92172-S055 | 1 |
| TUBE,FUEL TANK BREATHER (Ref # 92191) | 92191-S028 | 1 |
| TUBE,FUEL TANK FILLER (Ref # 92191A) | 92191-S029 | 1 |
| WASHER (Ref # 92200) | 92200-S078 | 6 |
| WASHER (Ref # 92200A) | 92200-S080 | 2 |