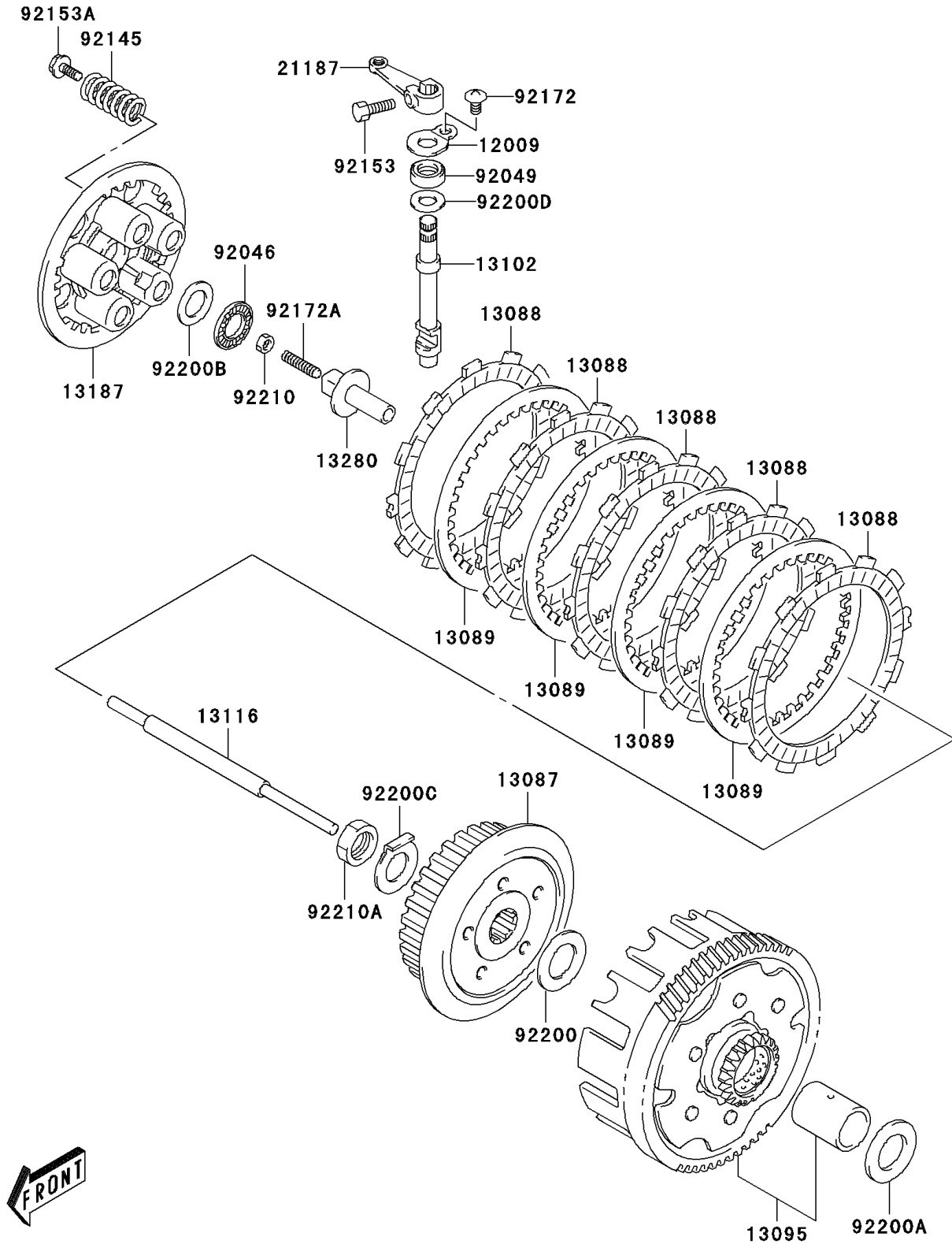


2006 KLX125L PARTS DIAGRAM

Clutch

E1350



2006 KLX125L PARTS LIST

Clutch

ITEM NAME	PART NUMBER	QUANTITY
RETAINER-VALVE SPRING (Ref # 12009)	12009-S003	1
HUB-CLUTCH (Ref # 13087)	13087-S001	1
PLATE-FRICTION (Ref # 13088)	13088-S001	5
PLATE-CLUTCH (Ref # 13089)	13089-S001	4
HOUSING-COMP-CLUTCH (Ref # 13095)	13095-S003	1
RELEASE-COMP-CLUTCH (Ref # 13102)	13102-S002	1
ROD-PUSH (Ref # 13116)	13116-S002	1
PLATE-CLUTCH OPERATING (Ref # 13187)	13187-S002	1
HOLDER,CLUTCH PUSH (Ref # 13280)	13280-S012	1
ARM-ASSY,CLUTCH RELEASE (Ref # 21187)	21187-S001	1
BEARING-NEEDLE,15X28X2 (Ref # 92046)	92046-S006	1
SEAL-OIL,10X20X6 (Ref # 92049)	92049-S018	1
SPRING (Ref # 92145)	92145-S041	5
BOLT (Ref # 92153)	92153-S126	1
BOLT,5X16 (Ref # 92153A)	92153-S137	5
SCREW (Ref # 92172)	92172-S092	1
SCREW (Ref # 92172A)	92172-S093	1
WASHER (Ref # 92200)	92200-S025	1
WASHER (Ref # 92200A)	92200-S055	1
WASHER,15.5X28X1 (Ref # 92200B)	92200-S056	1
WASHER (Ref # 92200C)	92200-S060	1
WASHER,10X20X1.0 (Ref # 92200D)	92200-S061	1
NUT,6X3.6 (Ref # 92210)	92210-S047	1
NUT (Ref # 92210A)	92210-S157	1