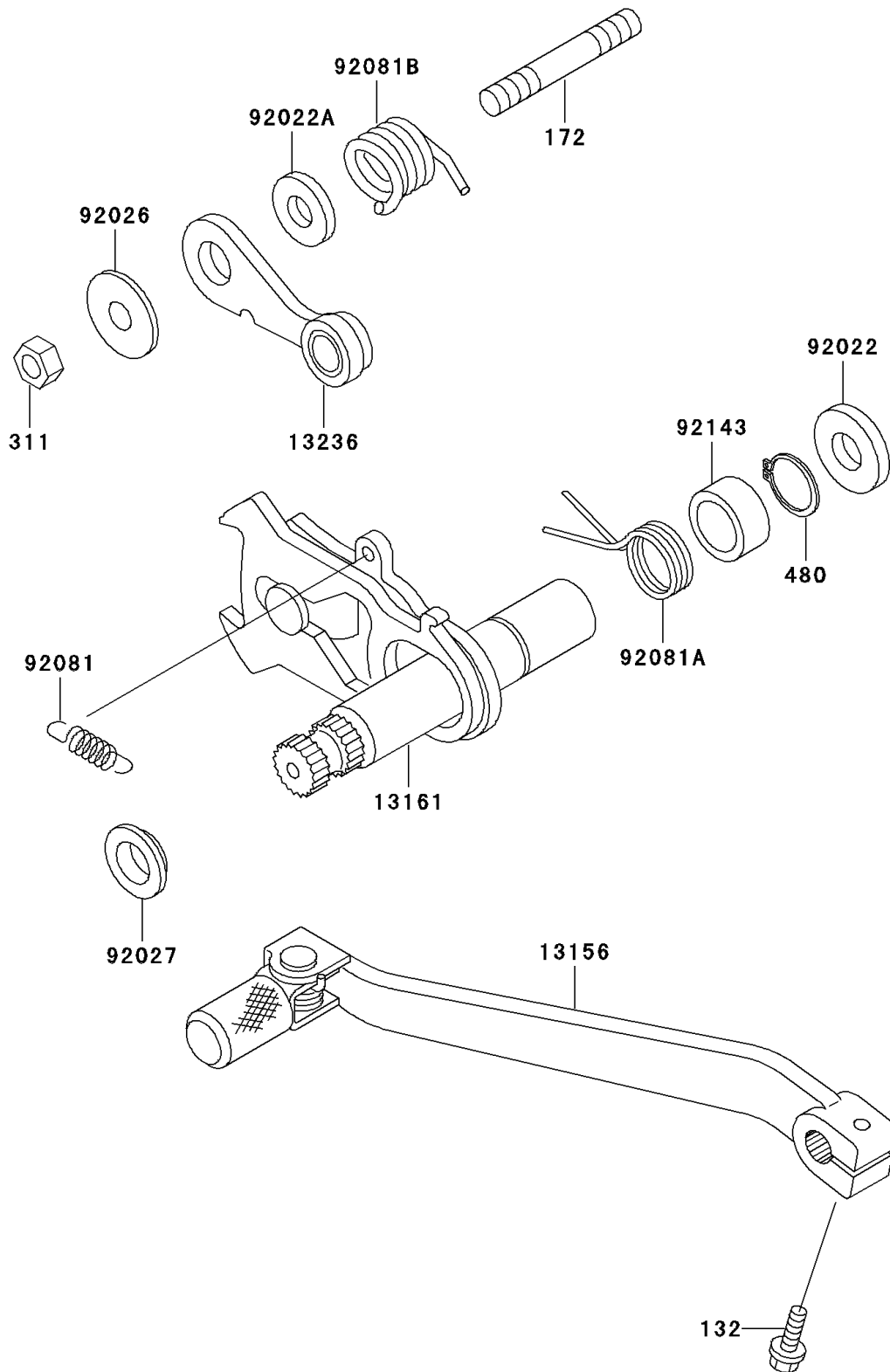


1996 KLX250R PARTS DIAGRAM

Gear Change Mechanism

E1370



1996 KLX250R PARTS LIST

Gear Change Mechanism

| ITEM NAME | PART NUMBER | QUANTITY |
|-------------------------------------------|-------------|----------|
| BOLT-FLANGED-SMALL (Ref # 132) | 132Y0620 | 1 |
| BOLT-STUD,6X12 (Ref # 172) | 172G0612 | 1 |
| NUT-HEX,6MM (Ref # 311) | 311G0600 | 1 |
| CIRCLIP-TYPE-C,13MM (Ref # 480) | 480J1300 | 1 |
| LEVER-CHANGE,PEDAL (Ref # 13156) | 13156-1340 | 1 |
| LEVER-COMP-CHANGE SHAFT (Ref # 13161) | 13161-1213 | 1 |
| LEVER-COMP,NEUTRAL POSITION (Ref # 13236) | 13236-1209 | 1 |
| WASHER,13.3X20X1 (Ref # 92022) | 92022-1496 | 1 |
| WASHER,6X12.8X1.2 (Ref # 92022A) | 92022-1827 | 1 |
| SPACER (Ref # 92026) | 92026-1217 | 1 |
| COLLAR,CHANGE SHAFT,L=5.5 (Ref # 92027) | 92027-1512 | 1 |
| SPRING,CHANGE LEVER (Ref # 92081) | 92081-076 | 1 |
| SPRING,TENSION (Ref # 92081A) | 92081-1129 | 1 |
| SPRING,POSITION LEVER (Ref # 92081B) | 92081-1993 | 1 |
| COLLAR (Ref # 92143) | 92143-1148 | 1 |