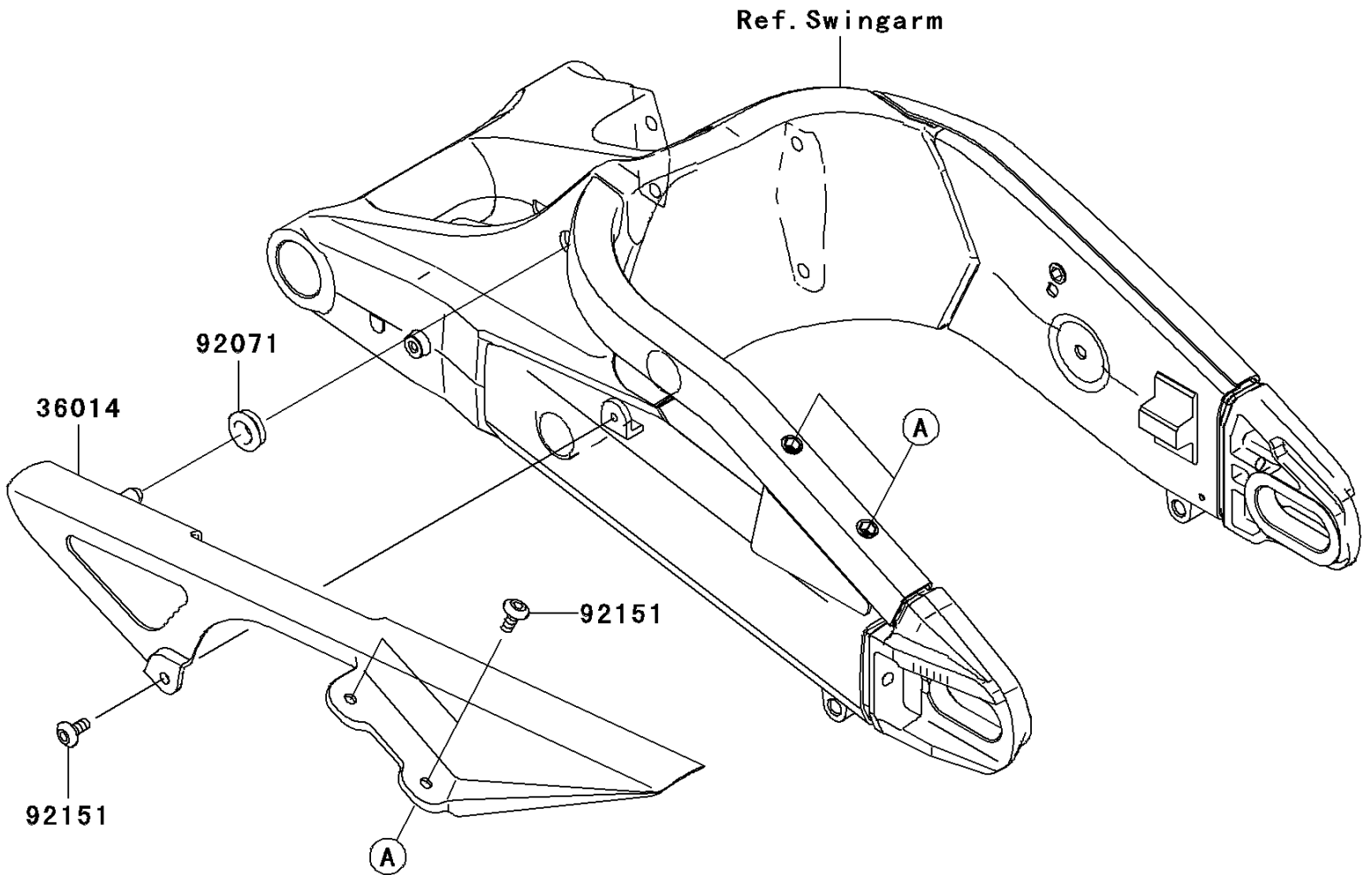


2008 Ninja® ZX™-6R PARTS DIAGRAM

Chain Cover

F2650



2008 Ninja® ZX™ -6R PARTS LIST

Chain Cover

| ITEM NAME | PART NUMBER | QUANTITY |
|--------------------------------|-------------|----------|
| CASE-CHAIN (Ref # 36014) | 36014-0020 | 1 |
| GROMMET (Ref # 92071) | 92071-0020 | 1 |
| BOLT,SOCKET,6X14 (Ref # 92151) | 92151-1654 | 3 |