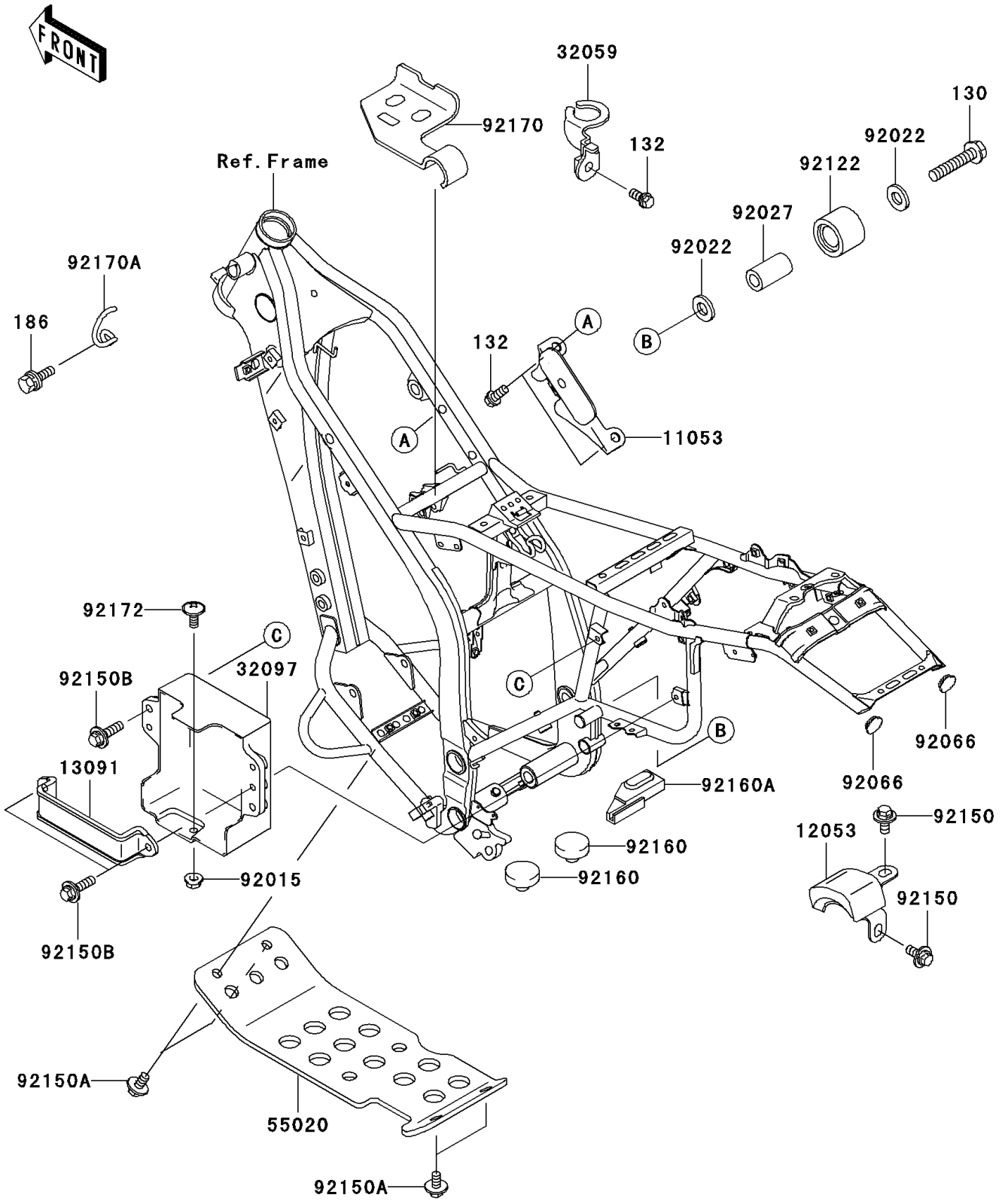


2006 KLX250S PARTS DIAGRAM

Frame Fittings

F2131



2006 KLX250S PARTS LIST

Frame Fittings

ITEM NAME	PART NUMBER	QUANTITY
BOLT-FLANGED,8X40 (Ref # 130)	130G0840	1
BOLT-FLANGED-SMALL,6X12 (Ref # 132)	132L0612	3
BOLT-UPSET-WP,6X20 (Ref # 186)	186B0620	1
BRACKET (Ref # 11053)	11053-1242	1
GUIDE-CHAIN (Ref # 12053)	12053-0001	1
HOLDER (Ref # 13091)	13091-1875	1
BRACKET-SWITCH,BRAKE (Ref # 32059)	32059-1117	1
CASE-BATTERY (Ref # 32097)	32097-0001	1
GUARD,ENGINE (Ref # 55020)	55020-1456	1
NUT,FLANGED,6MM (Ref # 92015)	92015-1078	1
WASHER,8.5X20X1.6 (Ref # 92022)	92022-1561	2
COLLAR,CHAIN ROLLER (Ref # 92027)	92027-1670	1
PLUG,FRAME END,12X13 (Ref # 92066)	92066-1034	2
ROLLER,CHAIN GUIDE (Ref # 92122)	92122-1153	1
BOLT,6X14 (Ref # 92150)	92150-1340	2
BOLT,6X12 (Ref # 92150A)	92150-1435	4
BOLT,FLANGED,6X22 (Ref # 92150B)	92150-1481	3
DAMPER (Ref # 92160)	92160-1396	2
DAMPER (Ref # 92160A)	92160-1565	1
CLAMP,HARNESS (Ref # 92170)	92170-1423	1
CLAMP,HARNESS (Ref # 92170A)	92170-1944	1
SCREW,6X14 (Ref # 92172)	92172-0004	1