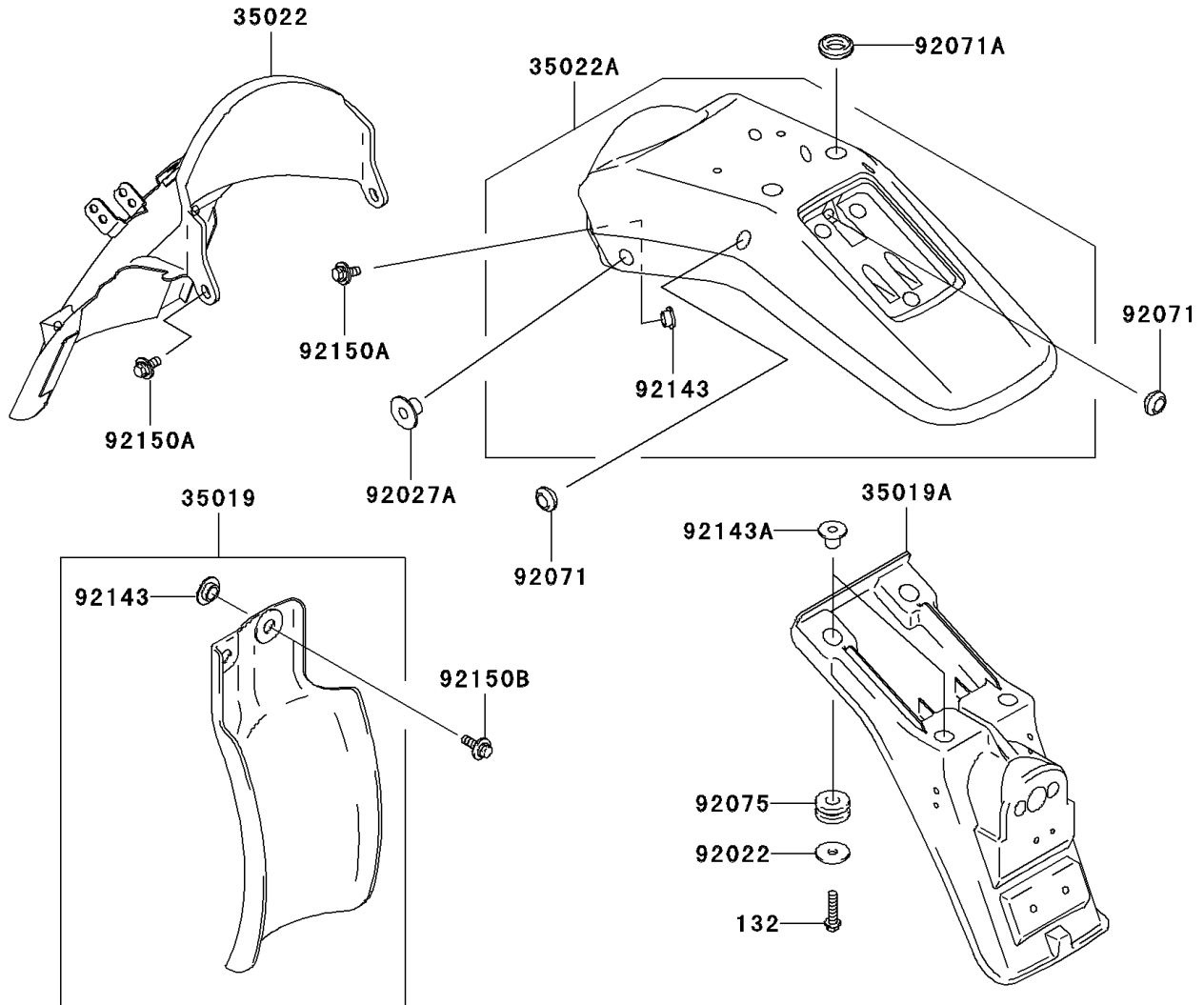
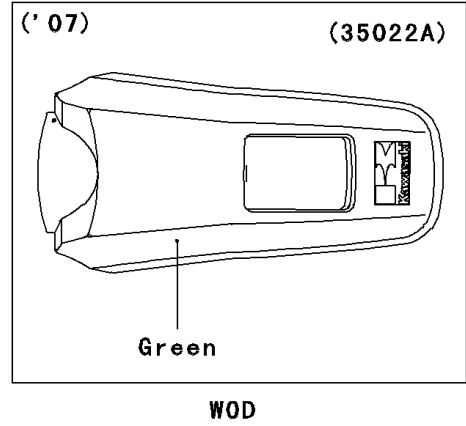
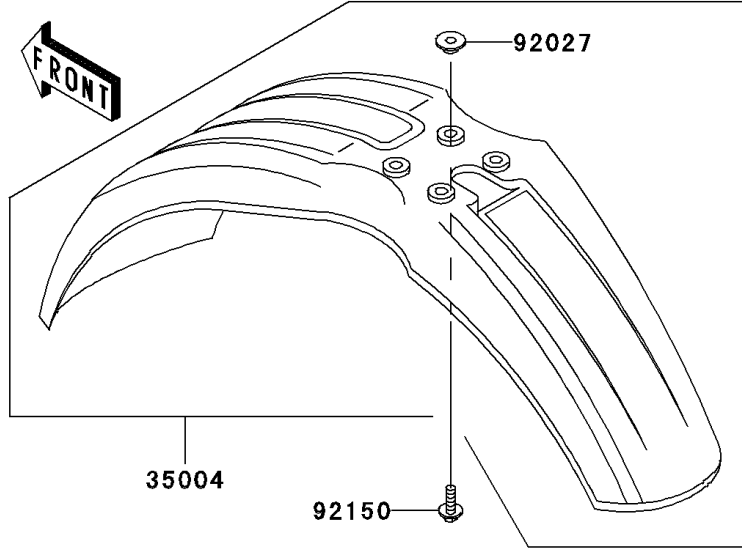


2006 KLX250S PARTS DIAGRAM

Fenders

F2170



2006 KLX250S PARTS LIST

Fenders

ITEM NAME	PART NUMBER	QUANTITY
BOLT-FLANGED-SMALL,6X25 (Ref # 132)	132G0625	4
FENDER-FRONT,L.GREEN (Ref # 35004)	35004-1319-290	1
FLAP,RR FENDER,FR (Ref # 35019)	35019-0004	1
FLAP,RR FENDER (Ref # 35019A)	35019-0040	1
FENDER-COMP-REAR,FR,L.GREEN (Ref # 35022)	35022-0001-290	1
FENDER-COMP-REAR,RR,L.GREEN (Ref # 35022A)	35022-0003-290	1
WASHER,6.5X24X2 (Ref # 92022)	92022-1690	4
COLLAR (Ref # 92027)	92027-1936	4
COLLAR (Ref # 92027A)	92027-4015	2
GROMMET (Ref # 92071)	92071-024	3
GROMMET (Ref # 92071A)	92071-1210	2
DAMPER (Ref # 92075)	92075-1690	4
COLLAR (Ref # 92143)	92143-1196	4
COLLAR (Ref # 92143A)	92143-1353	4
BOLT,FLANGED,6X20 (Ref # 92150)	92150-1339	4
BOLT,6X14 (Ref # 92150A)	92150-1340	4
BOLT,FLANGED,6X16 (Ref # 92150B)	92150-1506	2