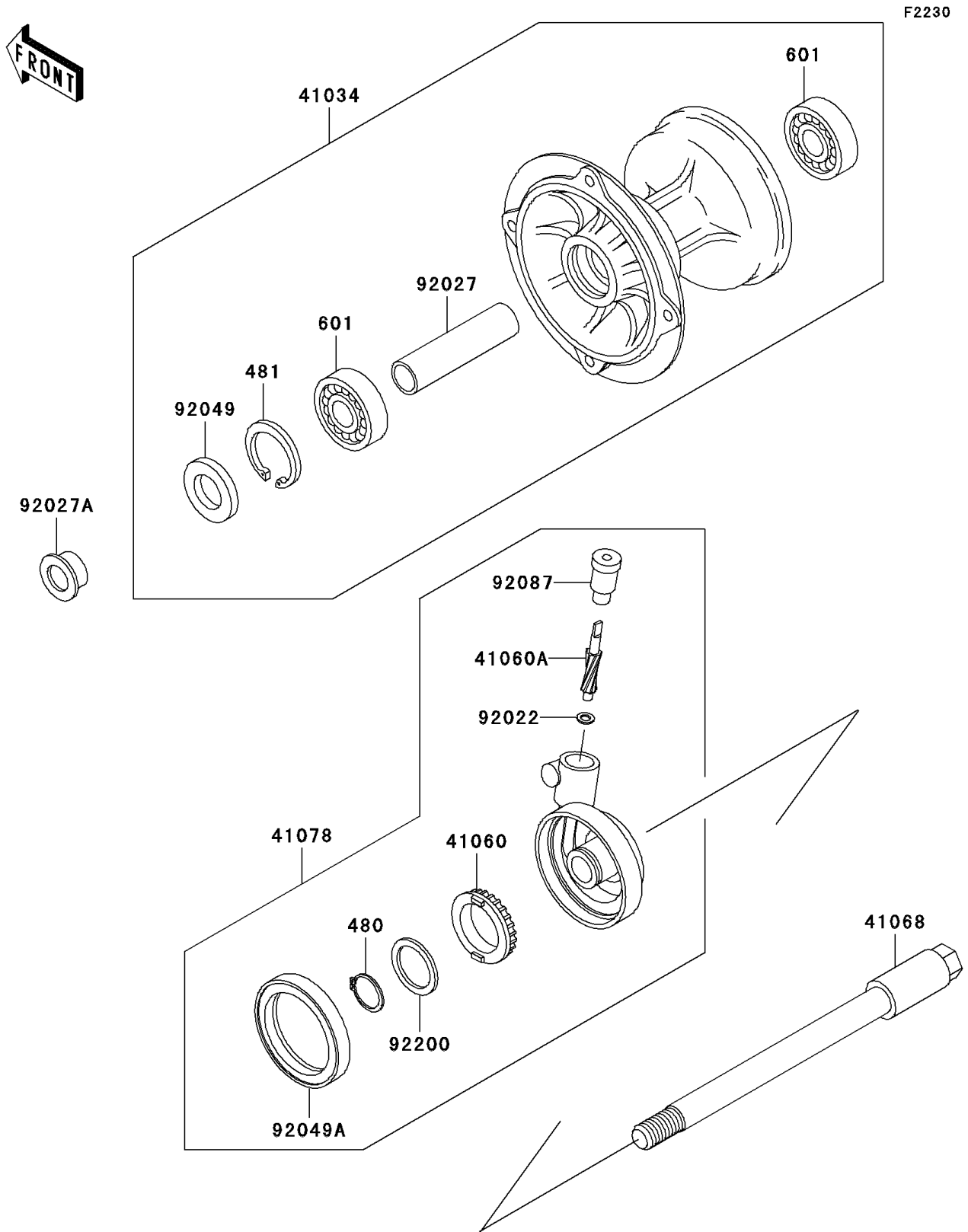


2006 KLX250S PARTS DIAGRAM

Front Hub



2006 KLX250S PARTS LIST

Front Hub

| ITEM NAME | PART NUMBER | QUANTITY |
|-------------------------------------|-------------|----------|
| CIRCLIP-TYPE-C,24MM (Ref # 480) | 480J2400 | 1 |
| CIRCLIP-TYPE-C,35MM (Ref # 481) | 481J3500 | 1 |
| BEARING-BALL,#6202UG (Ref # 601) | 601B6202UG | 2 |
| DRUM-ASSY,FRONT BRAKE (Ref # 41034) | 41034-1243 | 1 |
| GEAR-METER SCREW,25T (Ref # 41060) | 41060-1143 | 1 |
| GEAR-METER SCREW,8T (Ref # 41060A) | 41060-1144 | 1 |
| AXLE,FR (Ref # 41068) | 41068-0013 | 1 |
| CASE-ASSY-METER GEAR (Ref # 41078) | 41078-1095 | 1 |
| WASHER,5X9.5X0.8 (Ref # 92022) | 92022-1511 | 1 |
| COLLAR,15.2X22.2X75 (Ref # 92027) | 92027-1958 | 1 |
| COLLAR,L=12 (Ref # 92027A) | 92027-1959 | 1 |
| SEAL-OIL,MH20354.5 (Ref # 92049) | 92049-1176 | 1 |
| SEAL-OIL,SDD 50 62 7 (Ref # 92049A) | 92049-1399 | 1 |
| BUSHING-METER GEAR (Ref # 92087) | 92087-1060 | 1 |
| WASHER,24X31X0.8 (Ref # 92200) | 92200-1137 | 1 |