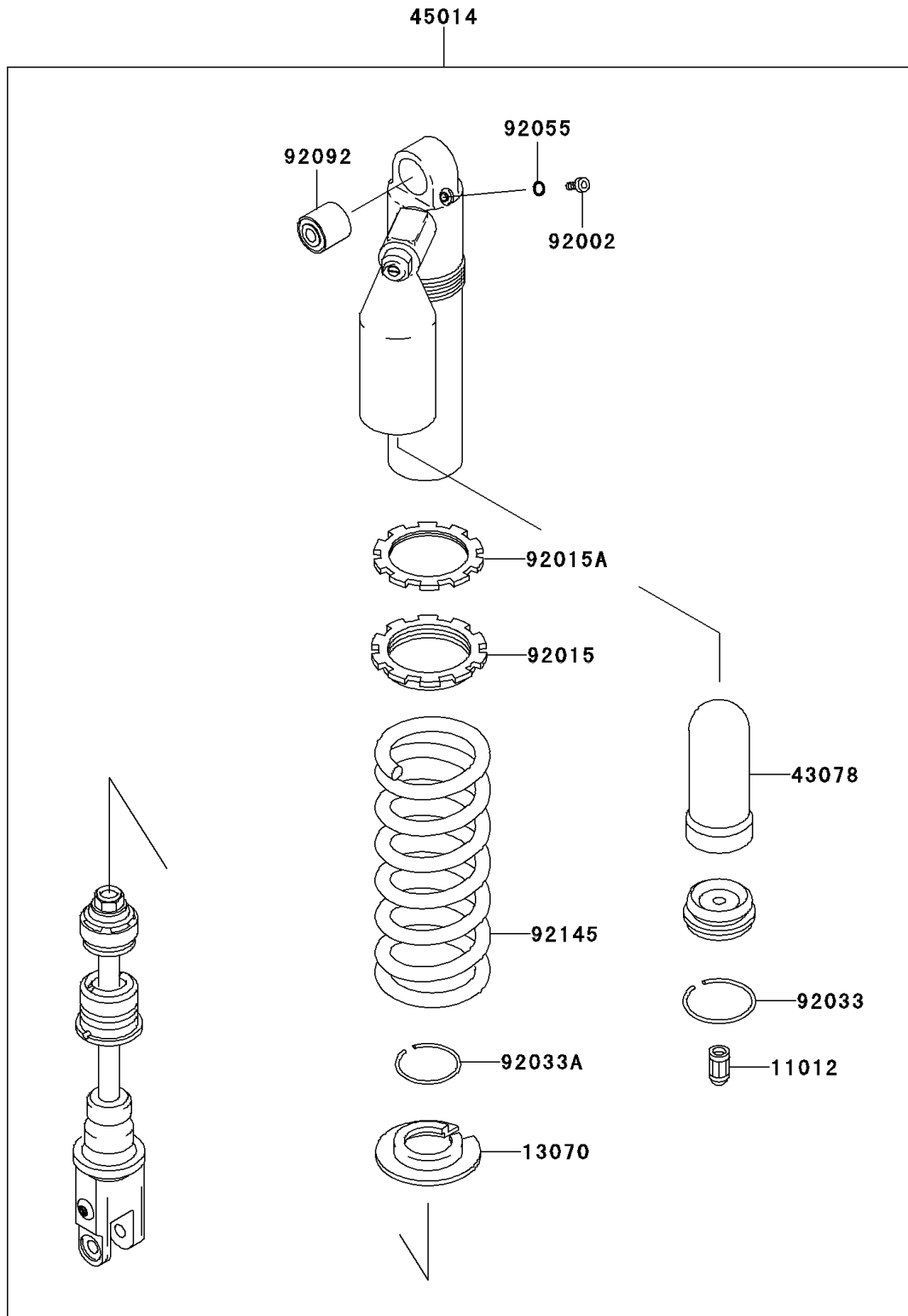


# 2006 KLX250S PARTS DIAGRAM

Shock Absorber(s)

F2280



## 2006 KLX250S PARTS LIST

### Shock Absorber(s)

ITEM NAME	PART NUMBER	QUANTITY
CAP,VALVE AIR (Ref # 11012)	11012-1391	1
GUIDE,SPRING (Ref # 13070)	13070-1165	1
RESERVOIR,SHOCKABSORBER (Ref # 43078)	43078-1094	1
SHOCKABSORBER (Ref # 45014)	45014-5020	1
BOLT,DRAIN (Ref # 92002)	92002-1955	1
NUT,SPRING ADJUST (Ref # 92015)	92015-1703	1
NUT,SPRING ADJUST LOCK (Ref # 92015A)	92015-1704	1
RING-SNAP (Ref # 92033)	92033-1209	1
RING-SNAP,SHOCKABSORBER (Ref # 92033A)	92033-1228	1
RING-O (Ref # 92055)	92055-1383	1
BUSHING-RUBBER,SHOCKABSORBER (Ref # 92092)	92092-1062	1
SPRING,SHOCK,K=54N/MM,I.SILVER (Ref # 92145)	92145-1161-8V	1