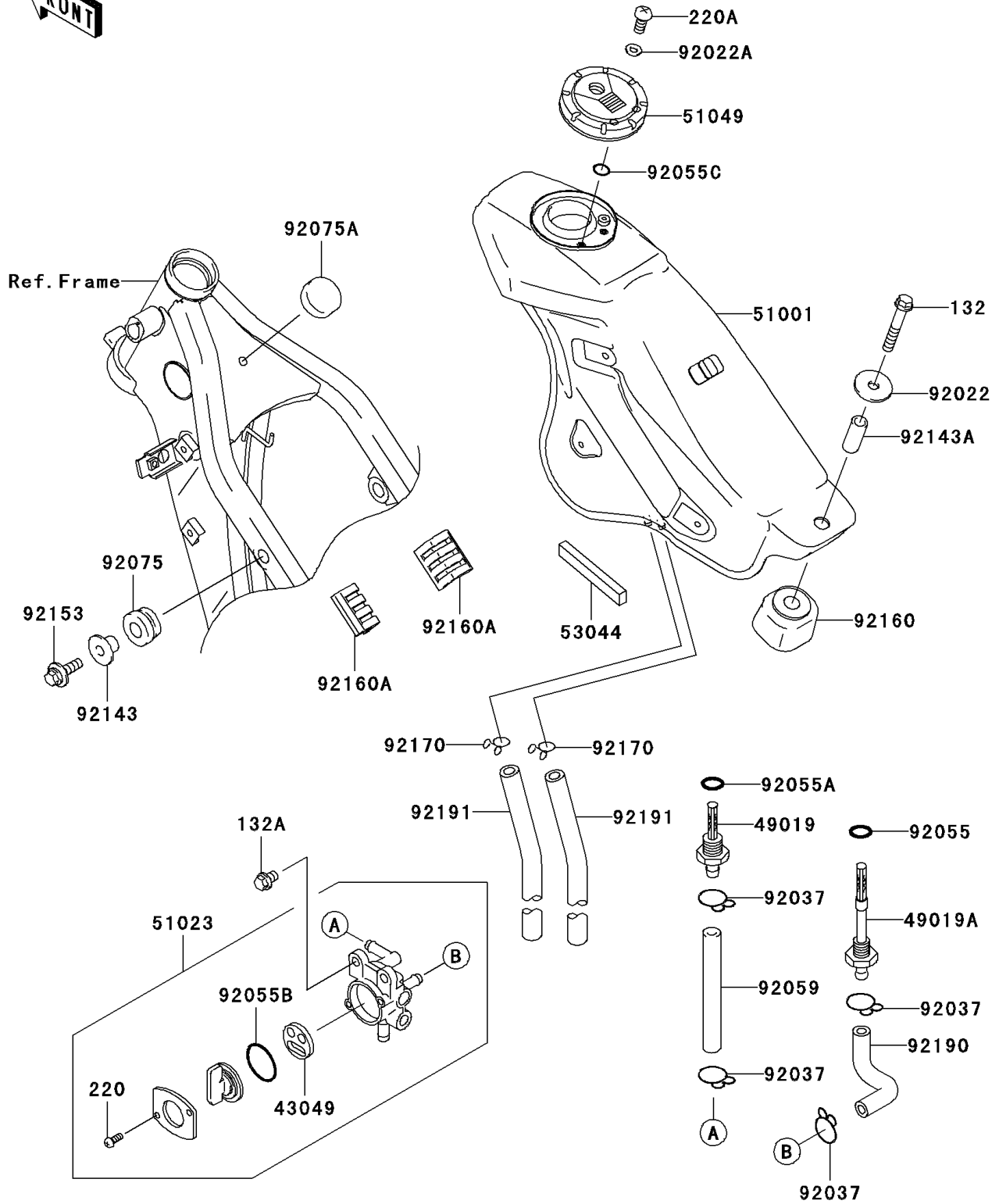


2006 KLX250S PARTS DIAGRAM

Fuel Tank

F2410



2006 KLX250S PARTS LIST

Fuel Tank

ITEM NAME	PART NUMBER	QUANTITY
BOLT-FLANGED-SMALL,6X35 (Ref # 132)	132G0635	1
BOLT-FLANGED-SMALL,6X8 (Ref # 132A)	132L0608	2
SCREW-PAN-CROS,3X8 (Ref # 220)	220B0308	2
SCREW-PAN-CROS,5X10 (Ref # 220A)	220D0510	2
PACKING,TAP VALVE (Ref # 43049)	43049-1091	1
FILTER-FUEL,"RES" (Ref # 49019)	49019-1057	1
FILTER-FUEL,"ON" (Ref # 49019A)	49019-1077	1
TANK-COMP-FUEL,EBONY (Ref # 51001)	51001-1715-H8	1
TAP-ASSY,FUEL (Ref # 51023)	51023-1322	1
CAP-TANK,FUEL (Ref # 51049)	51049-1134	1
TRIM,L=490 (Ref # 53044)	53044-1209	1
WASHER,6.5X24X2 (Ref # 92022)	92022-1690	1
WASHER,5.1X10X1.0 (Ref # 92022A)	92022-1977	2
CLAMP,TUBE (Ref # 92037)	92037-147	4
RING-O,ID=9.5 (Ref # 92055)	92055-1386	1
RING-O,11.5X1.5 (Ref # 92055A)	92055-1387	1
RING-O,TAP LEVER (Ref # 92055B)	92055-1419	1
RING-O,ID=9 (Ref # 92055C)	92055-1552	2
TUBE (Ref # 92059)	92059-1888	1
DAMPER,RUBBER (Ref # 92075)	92075-1123	2
DAMPER (Ref # 92075A)	92075-281	1
COLLAR (Ref # 92143)	92143-1353	2
COLLAR,6.8X10X24.5 (Ref # 92143A)	92143-1459	1
BOLT,6X20 (Ref # 92153)	92153-0502	2
DAMPER,FUEL TANK,RR (Ref # 92160)	92160-1254	1
DAMPER,FUEL TANK (Ref # 92160A)	92160-1328	2
CLAMP,TUBE (Ref # 92170)	92170-1834	2
TUBE,"ON" (Ref # 92190)	92190-1486	1
TUBE,7X12X600 (Ref # 92191)	92191-1138	2