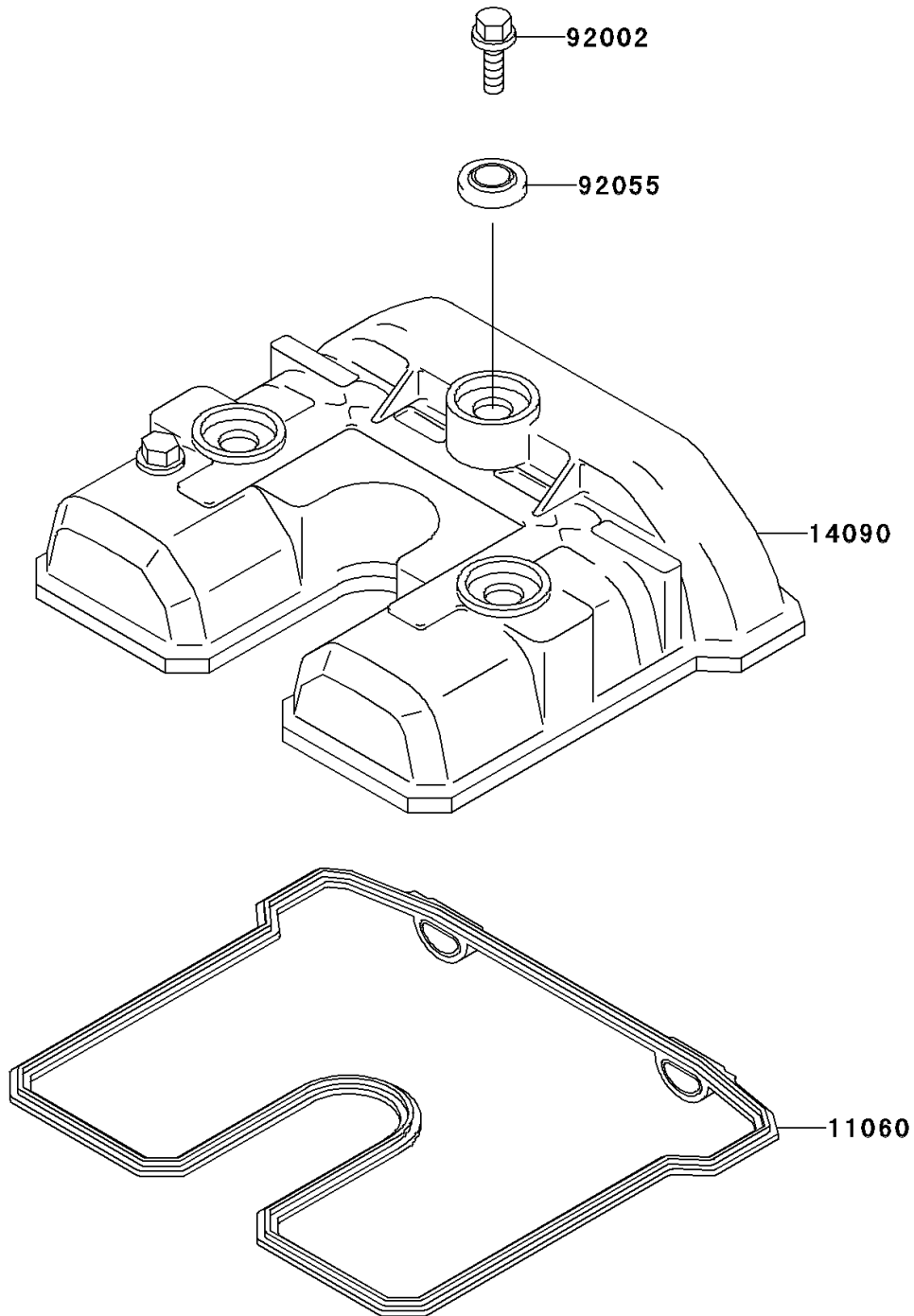


2000 KLX300R PARTS DIAGRAM

Cylinder Head Cover

E1112



2000 KLX300R PARTS LIST

Cylinder Head Cover

ITEM NAME	PART NUMBER	QUANTITY
GASKET,HEAD COVER (Ref # 11060)	11060-1318	1
COVER,HEAD (Ref # 14090)	14090-1477	1
BOLT,L=20.5 (Ref # 92002)	92002-1327	3
RING-O,HEAD COVER BOLT (Ref # 92055)	92055-1352	3