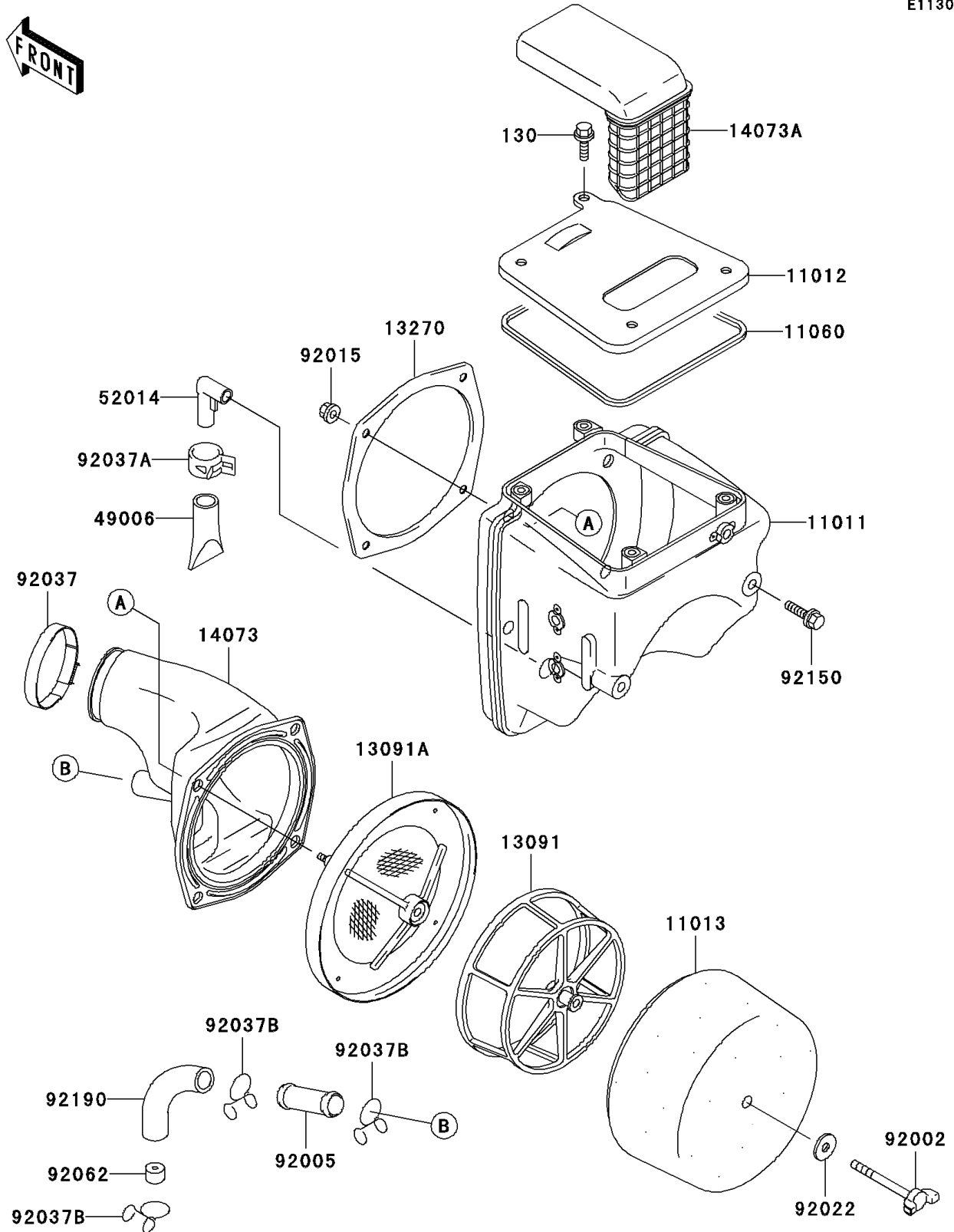


2001 KLX300R PARTS DIAGRAM

Air Cleaner

E1130



2001 KLX300R PARTS LIST

Air Cleaner

| ITEM NAME | PART NUMBER | QUANTITY |
|--------------------------------------|-------------|----------|
| BOLT-FLANGED,6X12 (Ref # 130) | 130G0612 | 4 |
| CASE-AIR FILTER (Ref # 11011) | 11011-1399 | 1 |
| CAP,AIR FILTER (Ref # 11012) | 11012-1834 | 1 |
| ELEMENT-AIR FILTER (Ref # 11013) | 11013-1260 | 1 |
| GASKET,AIR FILTER CASE (Ref # 11060) | 11060-1323 | 1 |
| HOLDER,ELEMENT (Ref # 13091) | 13091-1454 | 1 |
| HOLDER,ELEMENT (Ref # 13091A) | 13091-1835 | 1 |
| PLATE,DUCT FITTING (Ref # 13270) | 13270-1284 | 1 |
| DUCT,AIR FILTER (Ref # 14073) | 14073-1566 | 1 |
| BOOT (Ref # 49006) | 49006-1211 | 1 |
| ELBOW (Ref # 52014) | 52014-1083 | 1 |
| BOLT,WING (Ref # 92002) | 92002-1719 | 1 |
| FITTING (Ref # 92005) | 92005-1236 | 1 |
| NUT,FLANGED,5MM (Ref # 92015) | 92015-1656 | 4 |
| WASHER,6.5X20X1.6 (Ref # 92022) | 92022-125 | 1 |
| CLAMP (Ref # 92037) | 92037-1554 | 1 |
| CLAMP (Ref # 92037A) | 92037-2082 | 1 |
| CLAMP,TUBE (Ref # 92037B) | 92037-213 | 3 |
| NOZZLE (Ref # 92062) | 92062-1076 | 1 |
| BOLT,6X20 (Ref # 92150) | 92150-1339 | 3 |
| TUBE,BREATHER (Ref # 92190) | 92190-1397 | 1 |
| DUCT,AIR INTAKE (Ref # 14073A) | 14073-1588 | 1 |